



Alabama State Port Authority
Requisition and Proposal

Project Name Berth 2 Fender Repairs from M/V Maxx B. Allision

Project No. 10839 Task No. 01

To: **Prospective Bidders**

Date: October 2020

Please procure the following and deliver to the address below:

<p><u>Delivery of Proposal:</u> Alabama State Port Authority (ASPA) Location identified below in Note #1</p>	<p><u>Delivery of Performance of Work:</u> Alabama State Port Authority Main Docks Berth 2 Mobile, AL</p>
--	--

Description of Work
<p>This Requisition solicits proposals for construction services to remove and replace a section of damaged fender system as specified in the attached drawings and scope of work. All work shall be in accordance with the requirements stated herein, Scope of Work Specifications, Reference documents and drawings, Insurance Requirements and applicable State of Alabama and Federal Laws. The project site is located at Berth 2 on the Alabama State Port Authority Main Docks facility in Mobile, AL.</p> <p>The work consists principally of providing bonds, labor, materials, equipment, insurance, and supervision necessary for the removal of a section of damaged fender system, purchase and installation of new fender system and disposal of all removed materials associated with the work. The project includes, but is not limited to, the purchase and installation of rubber cell fender units, timber and steel fender components, chain assemblies, bolts and all associated hardware. All materials, labor, tools, rigging and equipment necessary to perform the work shall be included by the Contractor in the proposal. It is the Contractor's responsibility to field verify all dimensions and site conditions essential for the successful completion of the work. The Contractor shall not be entitled to any additional compensation for any work or expense resulting from the neglect of verifying all existing site conditions.</p> <p>All Contractors submitting bids are to carefully examine the site of the proposed work and thoroughly review the contract requirements prior to submission of a bid proposal. Each Bidder shall satisfy oneself as to the character, quality, and quantities of work to be performed, and as to the requirements of the proposed contract. The submission of a proposal shall be proof that the bidding Contractor has made such examination and is satisfied as to the conditions to be encountered in performing the work and as to the requirements of the proposed Contract. All bidding Contractors must hold a current license from the State Licensing Board for General Contractors, Montgomery, AL with the classification of (H/RR) Heavy/Railroad or (H/RR-S) Specialty Construction-Marine Construction.</p> <p>An OPTIONAL pre-bid meeting is scheduled for Tuesday, November 3, 2020 at 2:00 p.m. in the NW corner of the International Trade Center parking lot (250 North Water Street, Mobile, AL). Due to ongoing concerns with COVID-19, it is requested that companies keep the number of attendees to a minimum and practice the latest Federal and State COVID 19 guidelines including social distancing and wearing masks. In order to keep group activities to a minimum, a site visit will not be conducted at the pre-bid meeting; however, prospective bidders may make an appointment with the project manager to visit the site of the work individually. Electing to not visit the site before bidding will not relieve the prospective bidders from the previously stated requirements to "satisfy oneself as to the character, quality, and quantities of work to be performed, and as to the requirements of the proposed contract".</p>



Alabama State Port Authority
Requisition and Proposal

Project Name Berth 2 Fender Repairs from M/V Maxx B. Allision

Project No. 10839 Task No. 01

2 | Page

The work performed under this contract shall not commence until the Contractor has submitted a Performance Bond, Labor & Material Bond, and Certificate of Insurance in an acceptable form. Performance Bond and Labor & Material Bonds shall be in an amount equal to 100% of the contract price; Certificate of Insurance shall be as per the attached requirements and countersigned by a licensed resident agent in the State of Alabama.

The Contractor shall comply with all Federal and State laws, local ordinances and regulations, and all orders and decrees of bodies or tribunals having any jurisdiction or authority, which in any manner affect those engaged or employed on the work, or which in any way affect the conduct of the work.

The Contractor will be required to complete the work under the Contract within 150 calendar days after receipt of a "Notice to Proceed". Work will start and the Contractor will be required to furnish proof of purchase of materials within 10 calendar days after receipt of notice to proceed. The work will have to be scheduled and performed in a manner that will not interfere with the operations of the facility ongoing in the immediate and adjacent areas. ASPA intent is that work hours will be during normal day light hours.

ASPA cargo handling operations take priority over construction activities, therefore the Contractor will be required to relocate his operations as necessary to facilitate marine vessel berthing. ASPA Operations will make every effort to inform the Contractor of the vessel berthing schedule as far in advance as possible. The work area is directly adjacent to active wharfs with marine and land activity in the general vicinity of the work area, thus the Contractor must coordinate closely with ASPA Engineering and Operations personnel to schedule work activities to ensure that they do not interfere with normal operations. The Contractor shall plan work activities in such a way as to keep the maximum amount of wharf area orderly and accessible during all phases of the project. The Contractor must provide a high visibility temporary barrier to delineate the limits of construction activities on the pier at all times. The Contractor must capture and dispose of all waste materials generated by the construction activities. No debris will be allowed to fall into the water below. The Contractor is responsible for the disposal of all waste materials associated with the work.

The Contractor shall place a competent superintendent on the Project who shall have experience in the work being performed under the Contract. The assigned superintendent shall have the responsibility for the day-to-day operations of the work and shall remain on the Project site while the work under the Contract is being performed. It is the responsibility of the Contractor to become familiar with all conditions affecting the nature and manner of the work.

The Contractor will agree to comply with the safety rules, standards and regulations of the Federal Occupational Safety and Health Administration (OSHA) applicable to each of its operations, and to those established and recommended safety standards inherent in the industry; and to comply with U.S. Coast Guard regulations applicable to waterfront facilities and the policies of the Alabama State Port Authority while occupying any property of the Alabama State Port Authority.

The Alabama State Docks is a full time operating facility; operating 24 hours a day, 365 days a year, including nights, weekends and holidays. The successful Contractor will be required to familiarize itself with and conform to all Port safety requirements and procedures.



Alabama State Port Authority
Requisition and Proposal

Project Name Berth 2 Fender Repairs from M/V Maxx B. Allision

Project No. 10839 Task No. 01

3 | Page

Time is an essential element in the contract. As the prosecution of the work will inconvenience the tenant and interfere with business, it is important that the work be pressed vigorously to completion. Also, the cost to the Alabama State Port Authority of the administration of the contract, supervision, inspection and engineering will be increased as the time occupied in the work is lengthened. Therefore, exclusive of Sundays and national holidays, for each day that the work remains incomplete after the time specified, an amount of \$200.00 shall be paid by the contractor to the Alabama State Port Authority as liquidated damages for the loss sustained by the State because of failure of the contractor to complete the work within the specified time.

IMPORTANT NOTICE TO BIDDERS REGARDING ACCESS TO ASPA RESTRICTED FACILITIES:

The Alabama State Port Authority's Access Policy is provided on the ASPA website and in the links below:

http://www.asdd.com/portaccess_policy.html

http://www.asdd.com/portaccess_twiregs.html

http://www.asdd.com/portaccess_securitytraining.html

ALL persons working on this project are REQUIRED to have valid access credentials to include: 1) A TWIC Card 2) ASPA Badge 3) ASPA Vehicle Decal.

IMPORTANT NOTICE TO BIDDERS REGARDING EMPLOYMENT PRACTICES:

Effective October 1, 2011, the Beason-Hammon Alabama Taxpayer and Citizen Protection Act ("the Act") requires that any business entity contracting with or providing any grant or incentives to the state, including the Alabama State Port Authority, certify compliance with the Act. All Bidders must certify such compliance by executing the enclosed Certificate of Compliance and returning it to the Alabama State Port Authority with your bid package along with proof of the contractor's enrollment in the e-verify program. The following E-Verify website link is provided for convenience:

http://www.dhs.gov/files/programs/gc_1185221678150.shtm.



Alabama State Port Authority
Requisition and Proposal

Project Name Berth 2 Fender Repairs from M/V Maxx B. Allision

Project No. 10839 Task No. 01

Contractor's Proposal				
The Contractor hereby agrees to perform the specified work for the prices outlined in the following schedule. All items listed shall be performed in accordance with this requisition and proposal and all referenced documents.				
Description	Est Qty	UOM	Unit Price	Value
1. Project Mobilization/Demobilization	1	LS	LS	\$ _____
2. Bonds, Insurance & Port Access Credentials.	1	LS	LS	\$ _____
3. Removal & Disposal of approximately 62 LF of damaged fender system as specified in the attached drawings and scope of work.	1	LS	LS	\$ _____
4. Furnish & Install approximately 62 LF of new fender system as specified in the attached drawings and scope of work.	1	LS	LS	\$ _____
<u>TOTAL BASE BID</u>				\$ _____
BID ADDITIVE				
5. Removal & Disposal of approximately 62 LF of existing fender system at a location to be determined by ASPA as specified in the attached drawings and scope of work.	1	LS	LS	\$ _____
6. Furnish & Install approximately 62 LF of new fender system at a location to be determined by ASPA as specified in the attached drawings and scope of work.	1	LS	LS	\$ _____
<u>TOTAL BID ADDITIVE</u>				\$ _____

BID ADDITIVE NOTE:

At the discretion of ASPA, an additional 62 LF section of existing fender system along berth 2 may be removed and replaced as part of this allision repair project.



Alabama State Port Authority
Requisition and Proposal

Project Name Berth 2 Fender Repairs from M/V Maxx B. Allision

Project No. 10839 Task No. 01

5 | Page

NOTES:

1. Sealed bid proposals will be received via courier to the Alabama State Port Authority, 1400 Alabama State Docks Blvd, Suite 216, Administration Building, Mobile, AL 36602 by 1:30 P.M. on Thursday, November 12, 2020. Sealed bid proposals can also be hand delivered to the Killian Room starting at 15 minutes prior to the official bid opening at 2:00 PM on Thursday, November 12, 2020 at the Alabama State Port Authority in the International Trade Center building, 250 North Water Street, 1st floor—Killian Room, Mobile, AL. No bids will be accepted after 2:00 P.M. No faxed or electronic bids will be accepted. Conditional bids will not be accepted.
2. Bid proposals must be submitted in sealed envelopes with the words **"Bid Document Enclosed"** clearly marked on the outside of the envelope. Sealed bids shall have **the bidder's name, contractor's license number, project name, and time and date of bid opening shown on the outside of the envelope.**
3. A Bid Bond or Certified Check made payable to the Alabama State Port Authority and equal to five percent (5%) of the amount bid, not to exceed \$10,000, must accompany the Bid Proposal.
4. Authority reserves the right to refuse to issue a proposal form or a contract to a prospective bidder for any of the following reasons:
 - a) Failure to pay, or satisfactorily settle, all bills due for labor and materials on former contract in force with the Authority.
 - b) Contractor default under previous Contract with the Authority.
 - c) Proposal withdrawal or Bid Bond forfeiture on previous project with the Authority.
 - d) Unsatisfactory work on previous contract with the Authority.
 - e) Lack of competency, past experience, adequate machinery or lack of personnel.
5. Authority may make such investigations as deemed necessary to determine the ability of the bidder to perform the work, and the bidder shall furnish all such information and data for this purpose as the Authority may request. The Authority reserves the right to reject any bid if the evidence submitted by, or investigation of, such bidder fails to satisfy the Authority that such bidder is properly qualified to carry out the obligations of the Contract.
6. The Owner may terminate the contract, or any portion thereof, for just cause by written notice to the Contractor. If the contract, or any portion thereof, is terminated before completion of all items of work in the contract, payment will be made for the actual number of units or items of work completed or started. No claims for loss of anticipated profits will be considered.
7. If the Contractor to whom this contract is awarded does not provide adequate service or workmanship, ASPA reserves the right to cancel the contract and re-bid this work excluding that Contractor from consideration.
8. Any questions regarding the procurement should be directed to Marcus Coleman, P.E., Project Manager, at phone number (251) 441-7260 or email mcoleman@asdd.com.
9. The right is reserved, as the interest of the Alabama State Port Authority may require, to reject any and all bids and to waive informalities in bids received.
10. The Contractor must provide a high visibility temporary barrier to delineate the limits of construction activities on the piers at all times.
11. The cost of all items ancillary to the project shall be absorbed into the cost of the bid items. No separate payment shall be made for these items.



Alabama State Port Authority
Requisition and Proposal

Project Name Berth 2 Fender Repairs from M/V Maxx B. Allision

Project No. 10839 Task No. 01

SIGNATURES

Receipt of following addendums is acknowledged:

Addendum No. _____

Addendum No. _____

Addendum No. _____

Addendum No. _____

REFERENCED DOCUMENTS

- Reference Photos
- Alabama State Port Authority – Insurance Requirements for Contract Work
- Certificate of Compliance with the Beason-Hammon Alabama Taxpayer & Citizen Protection Act
- Reference Drawing 10839-01 – Berth 2 Fender Allision Repairs, Plan, Elevation & Sections
- Reference Drawing 10839-02 – Berth 2 Fender Allision Repairs, Replacement Details
- Reference Drawing 10839-03 – Berth 2 Fender Allision Repairs, Fender Details

Contractor's Signature:

Contractor Company _____

Name	Title	Date
------	-------	------

Signature of Party Originating Requisition:

Marcus Coleman, P.E. Date
Project Manager



Alabama State Port Authority
Requisition and Proposal

Project Name Berth 2 Fender Repairs from M/V Maxx B. Allision

Project No. 10839 Task No. 01

7 | Page

SCOPE OF WORK SPECIFICATIONS

SECTION 501 GENERAL PROVISIONS

The following detail Specifications, taken in conjunction with the Drawings, describe the work to be performed by the Contractor. They amplify and explain most items in connection with the work, but do not alter the scope of same as described elsewhere in this requisition.

All materials used in the work, which are not described specifically, shall be of the best quality that it is customary to employ in construction of the character involved. The following details are not necessarily complete in the description of all items entering into the work, but are intended to furnish a basis for acceptance of the more important items. Other details shall be consistent with them.

Any detail which may be incomplete or lacking in the drawings and specifications shall not constitute claim for extra compensation. Such detail shall be supplied by the Contractor and submitted to the Engineer in advance of its requirement on the job. The true intent of the plans and specifications is to produce a complete working system and incomplete detail will not abrogate this intent.

It is the intent to follow the Drawings and Specifications closely in all details, elevations, dimensions, etc., but it is understood that alterations may be required to conform to local conditions and that such alterations must be of the same character of construction as that specified. Workmanship shall be of the best quality in each class of work.



Alabama State Port Authority *Requisition and Proposal*

Project Name Berth 2 Fender Repairs from M/V Maxx B. Allision

Project No. 10839 Task No. 01

8 | Page

SECTION 502 SUMMARY OF THE WORK

502-01 SUMMARY

This section includes work covered by the Contract Documents and identifies the work sequence.

502-02 WORK COVERED BY THE CONTRACT DOCUMENTS

The work consists of the following:

1. Mobilization of supplies, equipment and personnel to site for project execution.
2. Removal and disposal of approximately 62 LF section of existing damaged fender system as specified in the drawings and specifications. The damaged section of fender system is located between mooring bollards 6 and 7, when counted from the south end of berth 2.
3. Furnish and install approximately 62 LF section of new fender system between mooring bollards 6 and 7 as specified in the drawings and specifications.
4. At the discretion of ASPA, an additional 62 LF section of existing berth 2 fender system may be removed and replaced as a bid additive to this allision repair project. The specific location will be determined by ASPA.
5. Demobilization from site.

502-03 WORK SEQUENCE

Insofar as practical, the order of work will be as scheduled by the Contractor and approved by the Project Engineer. The Contractor is required to submit a tentative schedule detailing the sequence of events and time frame for Contractor's activities. Contractor's attention is directed to the fact that the facility's cargo handling operation is a priority item, therefore, close coordination with ASPA Operations and the project engineer is required. All fabrication is to be completed before the Contractor occupies the berth. The removal and installation of the new fender system shall be fully completed in one section before moving to another section.

502-04 ACCESS FOR EQUIPMENT AND TRAFFIC

It is ASPA's intent to have full use of pier surface area for storage, traffic, and cargo handling operations during the life of this contract, thus it will be necessary for the Contractor to coordinate his operations and make suitable provisions to accommodate such. Interruption or restriction of cargo handling operations will not be permissible.

502-05 VERIFICATION OF EXISTING CONDITIONS

It is necessary for the Contractor to verify all existing conditions affecting the work. The Contractor is to familiarize self with all aspects of the project, particularly existing conditions, elevations, and surrounding activities.

502-06 ORDER OF WORK

It is essential that ASPA utilize its pier and warehouse space in the most efficient manner practical. Therefore, the Contractor work described within these Specifications must be completed within the time allotment given. The Contractor shall so schedule his operations to complete the work accordingly.



Alabama State Port Authority
Requisition and Proposal

Project Name Berth 2 Fender Repairs from M/V Maxx B. Allision

Project No. 10839 Task No. 01

9 | Page

SECTION 503 REMOVAL WORK

503-01 SCOPE

This section covers the removal of all fender components within the limits shown and damaged fender items which are designated on contract drawings. This shall include the following:

- All components of the existing fender system shown on the contract drawings.
- All hardware and accessories. Items designated to be reused must be maintained by the contractor.
- Any minor items which may not be shown or specified herein, but which are found to interfere with replacement work.

503-02 PROTECTION OF EXISTING STRUCTURES

The removal and disposal work required under this Contract shall be performed in such a manner so as not to damage any existing structures and any damage thereto by the Contractor's operation shall be repaired by the Contractor at no cost to ASPA. The load capacity of the existing pile-supported wharf is estimated at 1000 psf for uniformly distributed loads over surface. The Contractor shall take necessary precautions to avoid overloading this structure.

503-03 REMOVAL OF STEEL WALERS, TIMBERS, RUBBER FENDERS, AND HARDWARE

The existing fender system shall be removed within the areas designated on the referenced drawings. Rubber fenders, steel walers, timbers and all associated hardware shall be removed and disposed. Existing plates and eyebolts embedded in the face of the concrete dock shall be used to attach the new fender system. All existing chains and shackles shall be removed and disposed. All removed material shall become property of the Contractor and shall be disposed outside ASPA property in accordance with all governing laws and regulations.



Alabama State Port Authority *Requisition and Proposal*

Project Name Berth 2 Fender Repairs from M/V Maxx B. Allision

Project No. 10839 Task No. 01

10 | Page

SECTION 504 FENDER SYSTEM

504-01 SCOPE

The work covered by this section shall consist of furnishing all plant, labor, materials, tools, equipment and incidentals necessary for the installation of new fender system as indicated on the referenced drawings and/or specified herein.

504-02 GENERAL

The Contractor shall visit the premises to thoroughly familiarize self with all details of the work and working conditions, to completely survey and verify all dimensions in the field, and to advise the Project Manager of any discrepancies.

Complete shop drawings showing exact field dimensions shall be submitted to the Project Manager for review before fabrication. The Contractor shall be responsible for all errors of detailing, fabrication, and for correct fitting of the fender system.

504-03 MATERIALS

All materials shall be new and conform to the following:

- A. Treated Timbers shall be rough size, not to exceed nominal dimensions, treated Southern Pine. Timbers shall be completely fabricated to length with all holes, counterbores, chamfers and other cuts made prior to treatment. All timbers shall be Dense No. 1 in accordance with Southern Pine Inspection Bureau Rules Latest Revision. Timbers shall be pressure treated in accordance with AWPA Standard C-18, Pressure Treated Material in Marine Construction. Preservative shall be CCA minimum net Assay retention of 0.80 pcf.
- B. Steel Wales shall conform to ASTM A572 Grade 50 and shall be hot-dipped galvanized in accordance with ASTM 153, Class B-1 coating after fabrication.
- C. Steel Plates shall conform to ASTM A36 and shall be hot-dipped galvanized in accordance with ASTM 153, Class B-1 coating after fabrication. Welding rods compatible with the base metal shall be used for all welding on wales.
- D. Malleable Iron Washers shall be commercial grade and hot-dip galvanized as specified for unfinished bolts and nuts.
- E. Bolts and Nuts:
 1. Lag bolts shall be a commercial grade galvanized as specified for unfinished bolts and nuts.
 2. Unfinished bolts and nuts shall be used to connect the timber blocking walers to steel walers. They shall conform to ASTM Standards A307 "Low-Carbon Steel Externally and Internally Threaded Standard Fasteners", Grade A. Bolts, nuts, and washers shall be *galvanized* in accordance with ASTM Standard A153, Zinc Coating (hot-dip) on Iron and Steel Hardware, Class B-1 coating.
 3. High strength bolts, nuts, and washers shall be used to connect steel plates to the rubber fenders. They shall conform to ASTM A325 and shall be hot-dip galvanized as specified for unfinished bolts and nuts, Class C.



Alabama State Port Authority *Requisition and Proposal*

Project Name Berth 2 Fender Repairs from M/V Maxx B. Allision

Project No. 10839 Task No. 01

11 | Page

- F. Rubber Cell Fender Units shall match performance and dimension of Lord FTO500-1. Replacement units shall be SCK 500 E2 rubber cell fender supplied by Trelleborg or approved equal.
- G. Chain Assemblies. All chains and shackles shown on the contract drawings shall be provided new and must be galvanized.
- H. Sand-Asphalt Topping. Sand pitch shall be a mixture of asphalt roofing tar and concrete fine aggregate (sand) mixed in the proportion one (1) part asphalt to one (1) part sand by volume. The asphalt shall be heated in a roofers kettle or by other approved means until it reaches a molten form of such consistency to permit mixing with sand.
- I. Protective Coating. All new steel components shall be hot-dip galvanized after fabrication. All components requiring field touch-up/repair shall be cleaned and coated using a zinc rich primer and galvanizing paint top coat according to the requirements of ASTM A780 specifications. The thickness of the finished coating in the repaired areas should be at least equal to the galvanized layer. Surface preparation and coating application shall be performed as per paint manufacturer specifications.

504-04 FABRICATED STEEL ITEMS

- A. General: Fabricated steel items shall be in accordance with the details shown on the drawings. Welds in all items shall be ground smooth where exposed in the finished construction. All items shall be completely fabricated prior to hot-dip galvanizing. Installation shall be in accordance with the referenced drawings and/or approved shop drawings.
- B. Measurement: Prior to any fabrication, the Contractor shall accurately measure the face of the existing wharf, prepare shop drawings reflecting actual field measurements, and fabricate all items to properly fit without field alteration.

504-05 RUBBER FENDER UNIT INSTALLATION

The new rubber fender units shall be attached to the dock using the existing embedded anchors, stainless steel washers and nuts. Any missing components shall be replaced in like kind. The rubber fender units shall be attached to new steel plates using galvanized 1" A325 bolts and washers. Steel wales shall be field welded to the new steel plates prior to installing wood fillers in wales. The bolts shall be tightened to firmly seat all components.

504-06 TIMBER FABRICATION AND INSTALLATION

Timbers shall be accurately cut to length and predrilled to fit structure with minimum field alteration. All exposed corners shall be chamfered 1" x 1". All fabrication shall be complete prior to treatment except fillers may be drilled for lag bolts at installation.

504-07 CHAIN ASSEMBLY INSTALLATION



Alabama State Port Authority
Requisition and Proposal

Project Name Berth 2 Fender Repairs from M/V Maxx B. Allision

Project No. 10839 Task No. 01

12 | Page

Chain assemblies shall be installed as shown on the contract drawings. All chains and shackles must be provided new. The $\frac{3}{4}$ " dia. chain attached near the lower rubber cell fender must be tensioned to fully support the weight of the new fender system utilizing the U-Adjuster/Tensioner Dog Bone Shackle shown on the contract drawings.

504-08 SAND-ASPHALT TOPPING INSTALLATION

Sand-asphalt mixture shall be heated in a roofer's kettle or by other approved means. The mixture shall be hot and pliable at the time of application. Only that amount that can be maintained at such temperature to permit mixing and placing will be mixed at one time. After framing of the fender system has been completed, the top of the filler, blocking, and wale as shown on drawings shall be given a troweled topping of sand-asphalt not less than $\frac{1}{2}$ " thick. The troweling process shall combine both finishing and compacting the mixture to provide a smooth and dense topping.

SECTION 505 REFERENCE DRAWINGS

505-01 LIST OF DRAWINGS

1. Drawing 10839-01 --- Berth 2 Fender Allision Repairs Plan, Elevation & Sections
2. Drawing 10839-02 --- Berth 2 Fender Allision Repairs, Replacement Details
3. Drawing 10839-03 --- Berth 2 Fender Allision Repairs, Fender Details

Note: Existing fender drawings will be made available at the Technical Services office upon request.



Berth 2 Fender System Allision Damage Between Bollards #6 & #7 – Looking Southwest



Typical Berth 2 Fender System Between Bollards #6 & #7 – Looking West



Typical Berth 2 Fender System – Looking Northwest



Typical Berth 2 Fender System – Looking South



Typical Berth 2 Fender System – Looking West



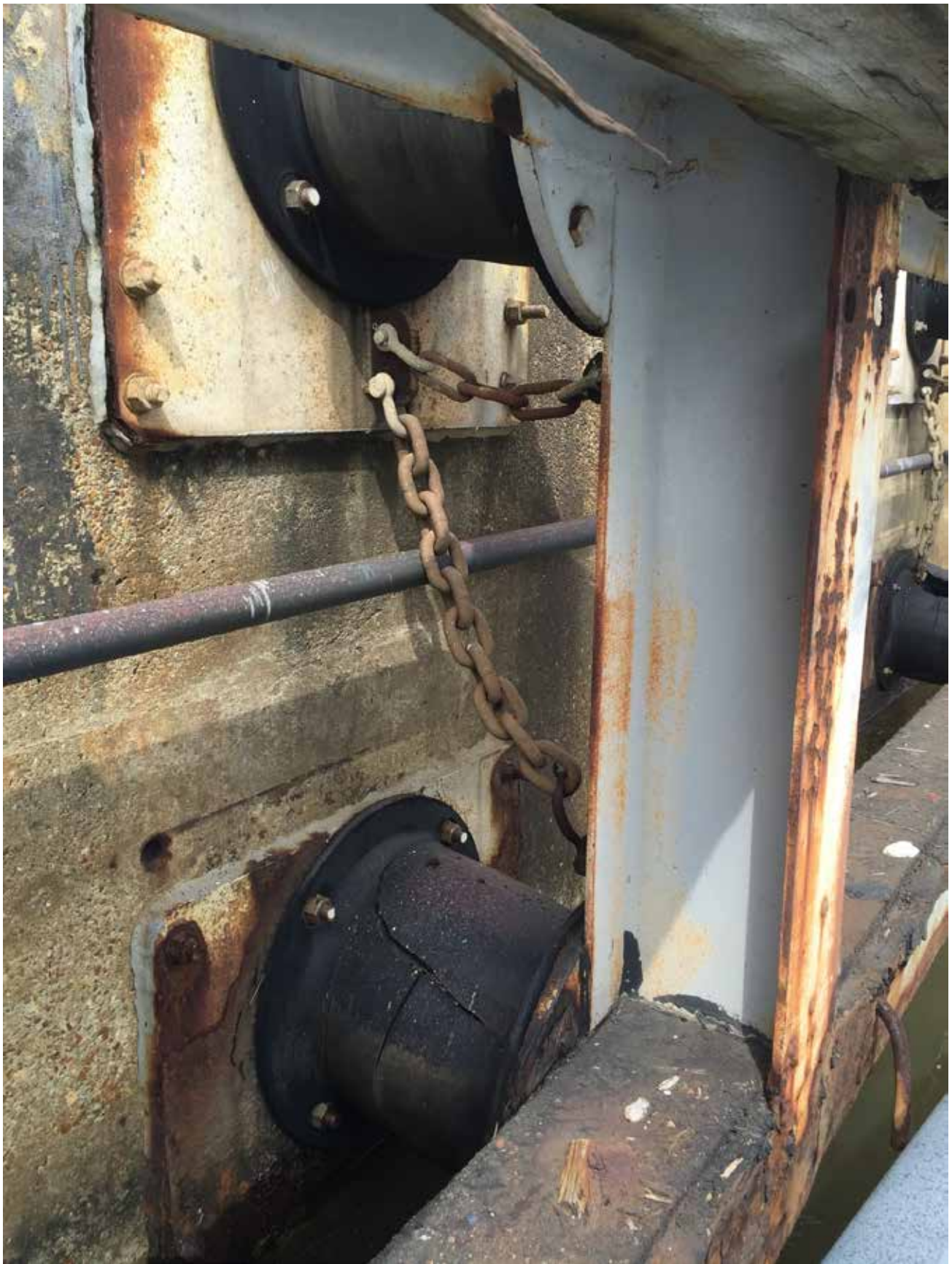
Typical Berth 2 Fender System – Looking West



Typical Berth 2 Fender System – Looking Northwest



Typical Berth 2 Fender System – Looking West



Typical Berth 2 Fender System



Typical Berth 2 Fender System



Typical Berth 2 Fender System – Looking North

ALABAMA STATE PORT AUTHORITY
INSURANCE REQUIREMENTS FOR CONTRACT WORK

INDEMNIFICATION

The Contractor shall assume all liability for and shall indemnify and save harmless the State of Alabama and the Alabama State Port Authority, doing business as Alabama State Docks (ASD), and its officers and employees from all damages and liability for injury to any person or persons, and injury to or destruction of property, including the loss of use thereof, by reason of an accident or occurrence arising from operations under the contract, whether such operations are performed by himself or by any subcontractor or by anyone directly or indirectly employed by either of them occurring on or about the premises, or the ways and means adjacent during the term of the contract, or any extension thereof, and shall also assume the liability for injury and/or damages to adjacent or neighboring property by reason of work done under the contract.

INSURANCE REQUIREMENTS

The Contractor shall not commence work under the contract until he has obtained all insurance required under the following paragraphs and until such insurance has been approved by ASD, nor shall the Contractor allow any subcontractor to commence work until all similar applicable insurance has been obtained by the subcontractor or the Contractor has provided coverage for the subcontractor. The Contractor shall provide, at his expense, insurance in accordance with the following:

General Requirements (applicable to all policies) (Required for this project)

All policies of insurance must be written with companies acceptable to ASD. The Contractor shall furnish to ASD certificates of insurance, signed by the licensed agent evidencing required coverages. ASD reserves the right to require certified copies of any and all policies. Each policy of insurance shall provide, either in body of the policy or by endorsement, that such policy cannot be substantially altered or cancelled without thirty (30) days' written notice to ASD and to the insured. *Except for Workers Compensation, said policies will identify Alabama State Port Authority, its officers, officials, agents, servants and employees as Primary and Non-contributory Additional Insureds in connection with work performed for, on behalf of, or on the property of ASD, including a waiver of all rights of subrogation.*

General Liability (Required for this project)

The Contractor shall take out and maintain during the life of the contract Commercial General Liability insurance, including Blanket Contractual and Completed Operations coverages, in an amount not less than \$2,000,000 for any one occurrence for bodily injury, including death, and property damage liability.

Automobile Liability (Required for this project)

The Contractor shall take out and maintain during the life of the contract Business Automobile Liability insurance covering any auto in an amount not less than \$1,000,000 for any one occurrence for bodily injury, including death, and property damage liability.

Workers Compensation (Workers Comp and USLH Required for this project)

The Contractor shall take out and maintain during the life of the contract Workers Compensation and Employers Liability insurance providing coverage under the Alabama Workers Compensation Act in an amount not less than that required by Alabama law.

Where applicable, Contractor shall take out and maintain during the life of the contract insurance providing coverage as required by Federal statute, including but not limited to U.S. Longshoremen and Harborworkers' Compensation Act (USL&H), Jones Act, and Railroad Federal Employers Liability Act (FELA).

Ocean Marine (Required for project if watercraft is used)

In the event work involves the use of watercraft in the completion of the contract, the Contractor shall provide Protection and Indemnity coverage, including crew, in an amount not less than \$1,000,000 for each loss.

State of _____

County of _____

CERTIFICATE OF COMPLIANCE WITH THE BEASON-HAMMON ALABAMA TAXPAYER AND CITIZEN PROTECTION ACT (ACT 2011-535, as amended by Act 2012-491)

DATE: _____

RE Contract/Grant/Incentive (describe by number or subject):

_____ by and between
_____(Contractor/Grantee) and
_____(State Agency, Department or Public Entity)

The undersigned hereby certifies to the State of Alabama as follows:

1. The undersigned holds the position of _____ with the Contractor/Grantee named above, and is authorized to provide representations set out in this Certificate as the official and binding act of that entity, and has knowledge of the provisions of THE BEASON-HAMMON ALABAMA TAXPAYER AND CITIZEN PROTECTION ACT (ACT 2011-535 of the Alabama Legislature, as amended by Act 2012-491) which is described herein as "the Act".
2. Using the following definitions from Section 3 of the Act, select and initial either (a) or (b), below, to describe the Contractor/Grantee's business structure.

BUSINESS ENTITY. Any person or group of persons employing one or more persons performing or engaging in any activity, enterprise, profession, or occupation for gain, benefit, advantage, or livelihood, whether for profit or not for profit. "Business entity" shall include, but not be limited to the following:

a. Self-employed individuals, business entities filing articles of incorporation, partnerships, limited partnerships, limited liability companies, foreign corporations, foreign limited partnerships, foreign limited liability companies authorized to transact business in this state, business trusts, and any business entity that registers with the Secretary of State.

b. Any business entity that possesses a business license, permit, certificate, approval, registration, charter, or similar form of authorization issued by the state, any business entity that is exempt by law from obtaining such a business license and any business entity that is operating unlawfully without a business license.

EMPLOYER. Any person, firm, corporation, partnership, joint stock association, agent, manager, representative, foreman, or other person having control or custody of any employment, place of employment, or of any employee, including any person or entity employing any person for hire within the State of Alabama, including a public employer. This term shall not include the occupant of a household contracting with another person to perform casual domestic labor within the household.

____ (a) The Contractor/Grantee is a business entity or employer as those terms are defined in Section 3 of the Act.

____ (b) The Contractor/Grantee is not a business entity or employer as those terms are defined in Section 3 of the Act.

3. As of the date of this Certificate, Contractor/Grantee does not knowingly employ an unauthorized alien within the State of Alabama and hereafter it will not knowingly employ, hire for employment, or continue to employ an unauthorized alien within the State of Alabama;
4. Contractor/Grantee is enrolled in E-Verify unless it is not eligible to enroll because of the rules of that program or other factors beyond its control.

Certified this _____ day of _____ 20 _____

Name of Contractor/Grantee/Recipient

By: _____

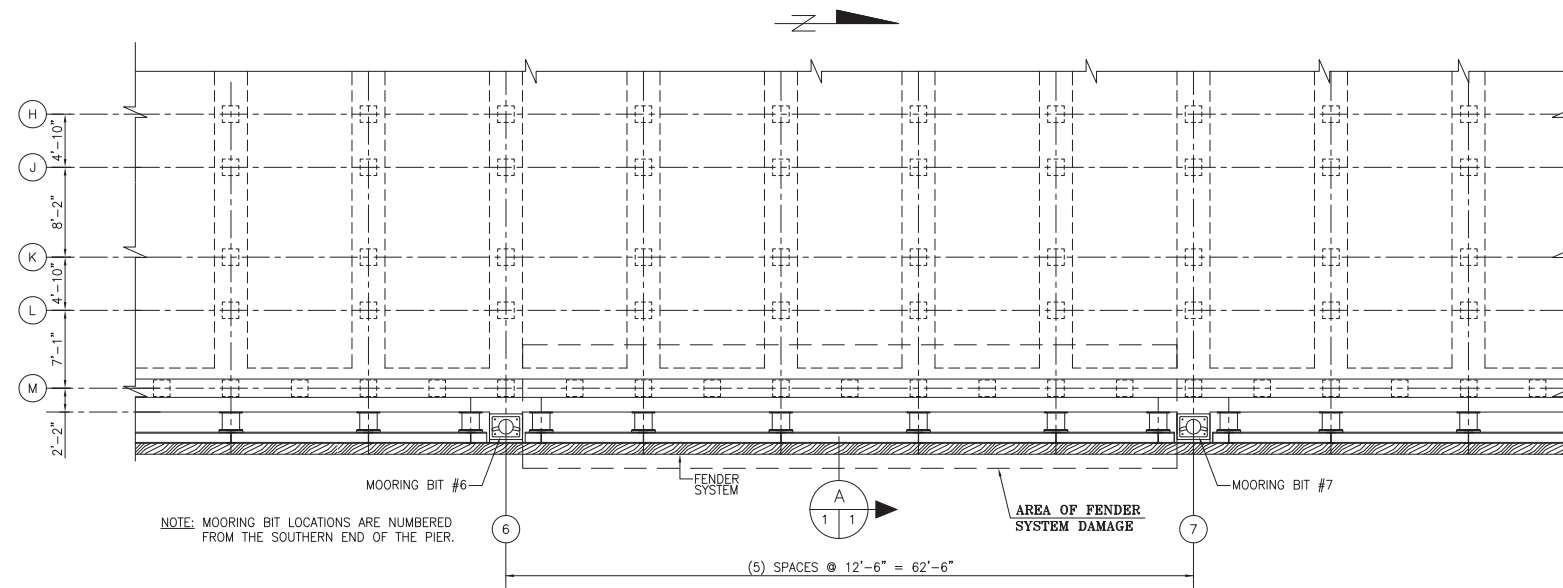
Its _____

The above Certification was signed in my presence by the person whose name appears above, on

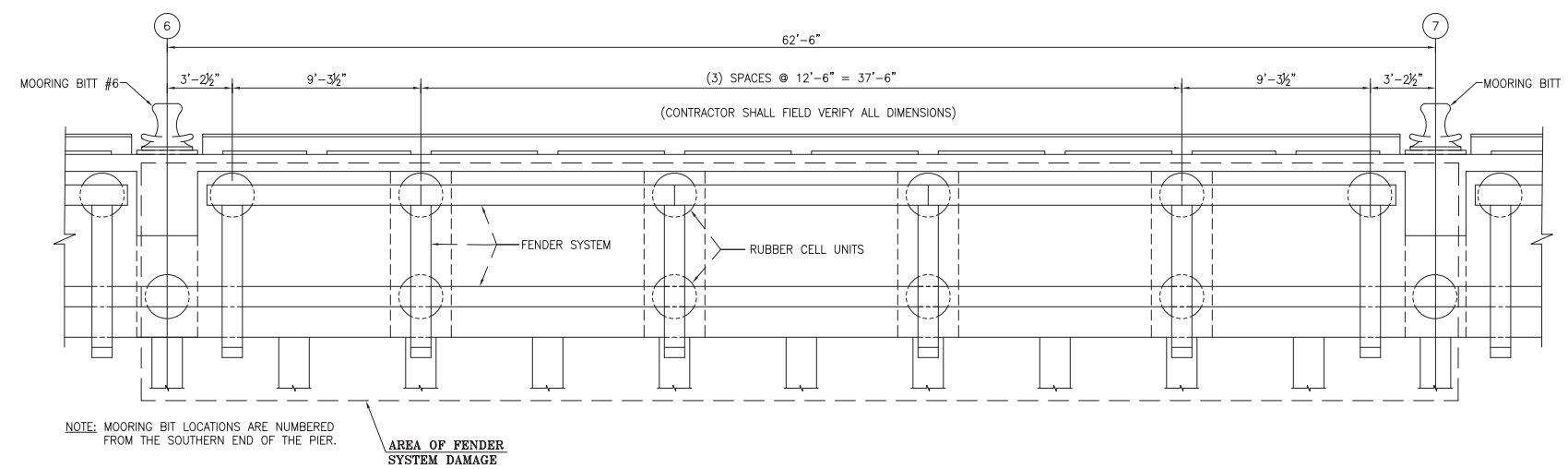
this _____ day of _____ 20 _____.

WITNESS: _____

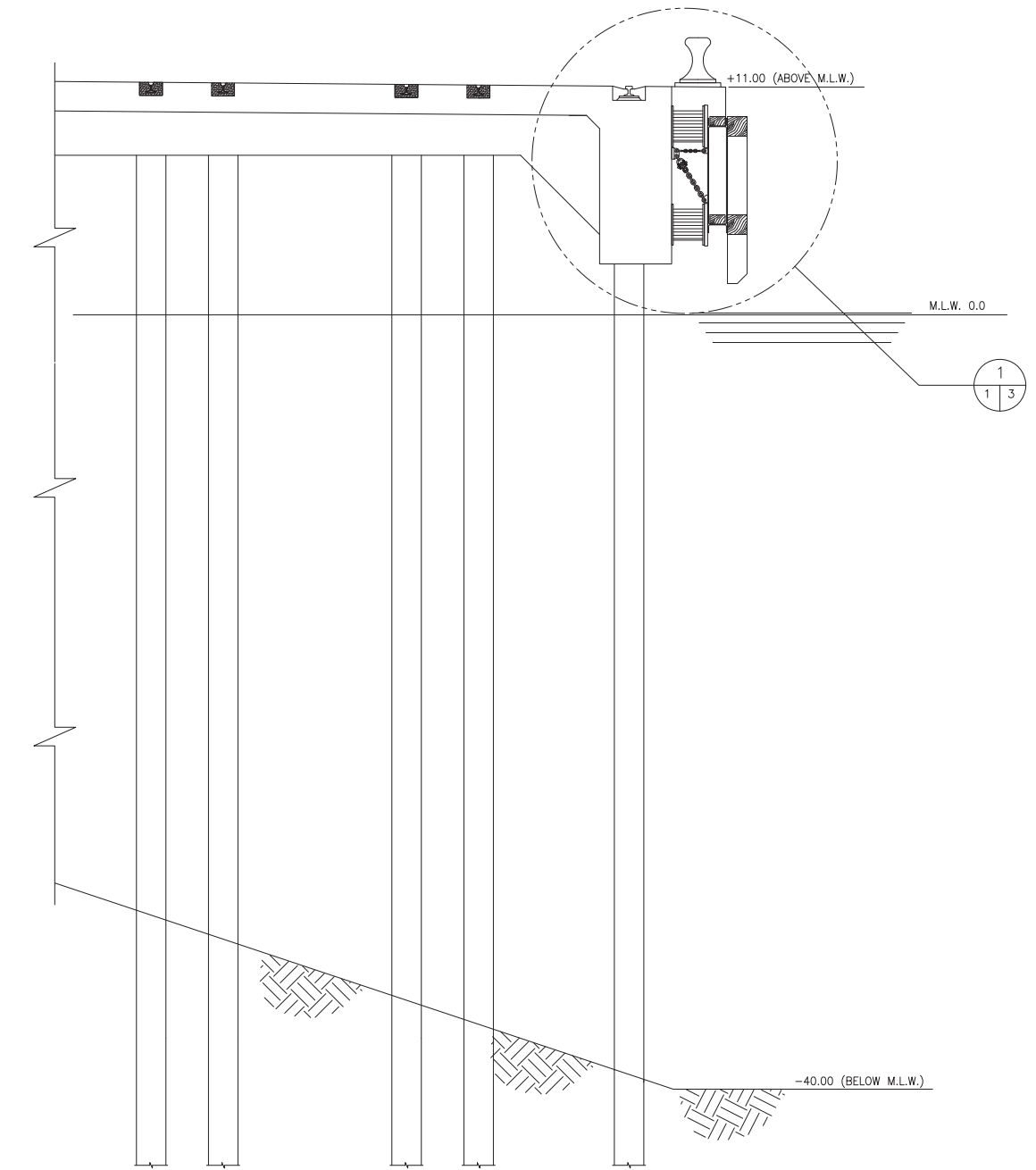
Printed Name of Witness



PIER 2 - DECK PLAN
 $\frac{1}{8}''=1'-0''$




PIER 2 - TYPICAL 62'-6" FENDER UNIT ELEVATION
 $\frac{1}{4}''=1'-0''$



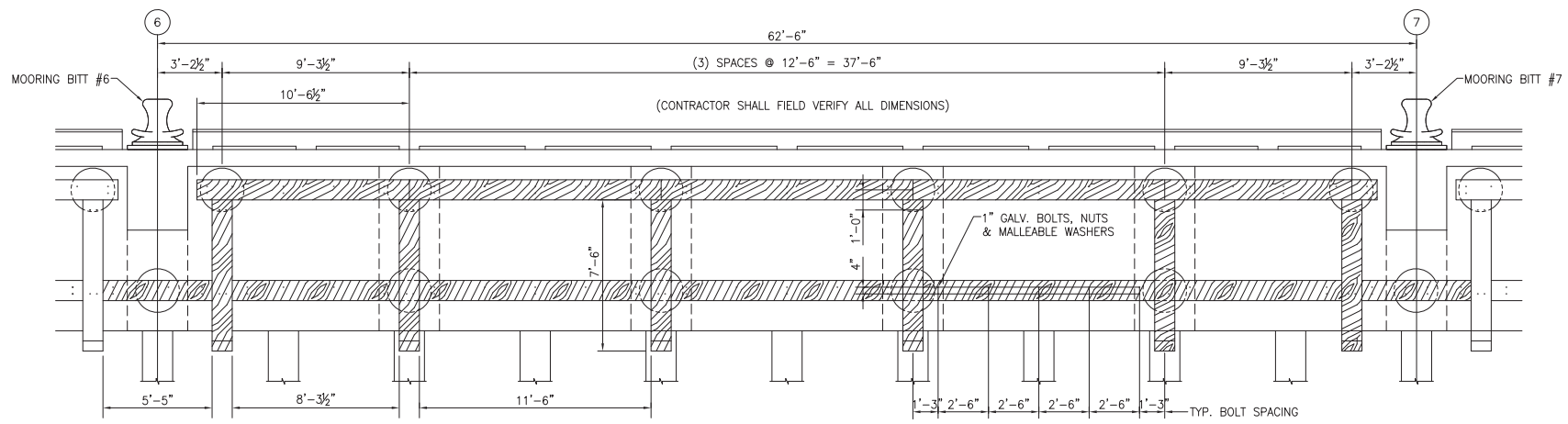
SECTION A-1-1
 $\frac{1}{4}''=1'-0''$

REV NO.	DATE	BY	REVISION


ALABAMA STATE DOCKS
 MOBILE, ALABAMA

BERTH 2 FENDER ALLISION REPAIRS
 PLAN, ELEVATION & SECTIONS

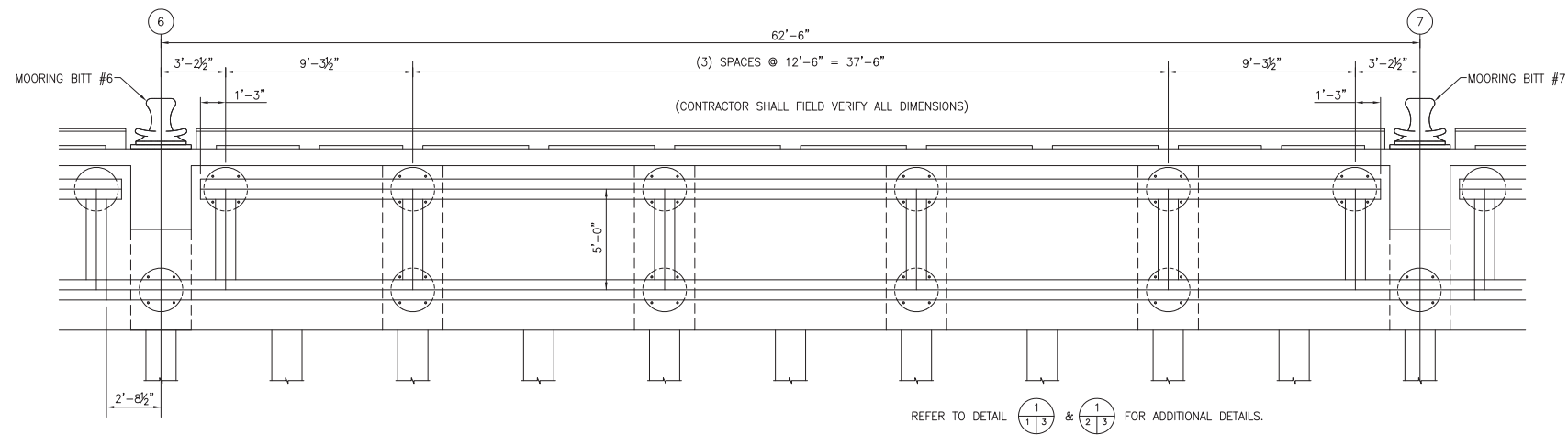
DWG BY:	DATE:	REVISIONS	SCALE:
CMC	10/2020	BY: DATE: BY: DATE: BY: DATE:	AS SHOWN
CHKD. BY:	DATE:		DRAWING NO.: 10839-01



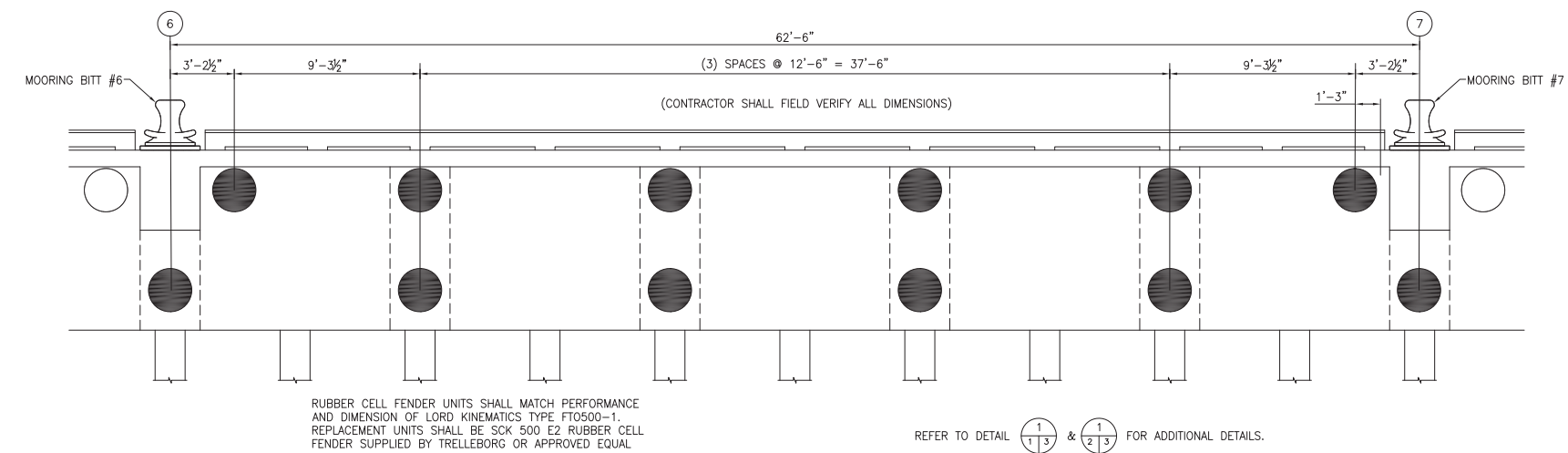
NOTE: ALL TIMBERS SHALL BE ROUGH SIZE, NOT TO EXCEED NOMINAL DIMENSIONS. TREATED SOUTHERN PINE. TIMBERS SHALL BE COMPLETELY FABRICATED TO LENGTH WITH ALL HOLES, COUNTERBORES, CHAMFERS AND OTHER CUTS MADE PRIOR TO TREATMENT. ALL TIMBERS SHALL BE DENSE NO. 1 IN ACCORDANCE WITH SOUTHERN PINE INSPECTION BUREAU RULES LATEST EDITION. TIMBERS SHALL BE PRESSURE TREATED IN ACCORDANCE WITH AWP STANDARD C-18, PRESSURE TREATED MATERIAL IN MARINE CONSTRUCTION. PRESERVATIVE SHALL BE CCA MINIMUM NET ASSAY RETENTION OF 0.80 PCF. REFER TO DETAIL $\frac{1}{13}$ FOR ADDITIONAL FENDER DETAILS.

PIER 2 FENDER - TIMBERS TO BE REPLACED
 $\frac{1}{4}''=1'-0''$

NOTE: SPACING OF BOLTS ATTACHING CHOCKS SHALL NOT EXCEED 2'-6". ALL TIMBERS SHALL BE ATTACHED WITH A MIN. OF (4) BOLTS. END DISTANCE OF BOLT SHALL BE BETWEEN 4" & 9".



PIER 2 FENDER - STEEL WALES TO BE REPLACED
 $\frac{1}{4}''=1'-0''$




RUBBER CELL FENDER UNITS SHALL MATCH PERFORMANCE AND DIMENSION OF LORD KINEMATICS TYPE FT0500-1. REPLACEMENT UNITS SHALL BE SCK 500 E2 RUBBER CELL FENDER SUPPLIED BY TRELLEBORG OR APPROVED EQUAL


PIER 2 FENDER - RUBBER CELL & STEEL PLATES TO BE REPLACED
 $\frac{1}{4}''=1'-0''$

REFER TO DETAIL $\frac{1}{13}$ & $\frac{1}{23}$ FOR ADDITIONAL DETAILS.

REV NO.	DATE	BY	REVISION

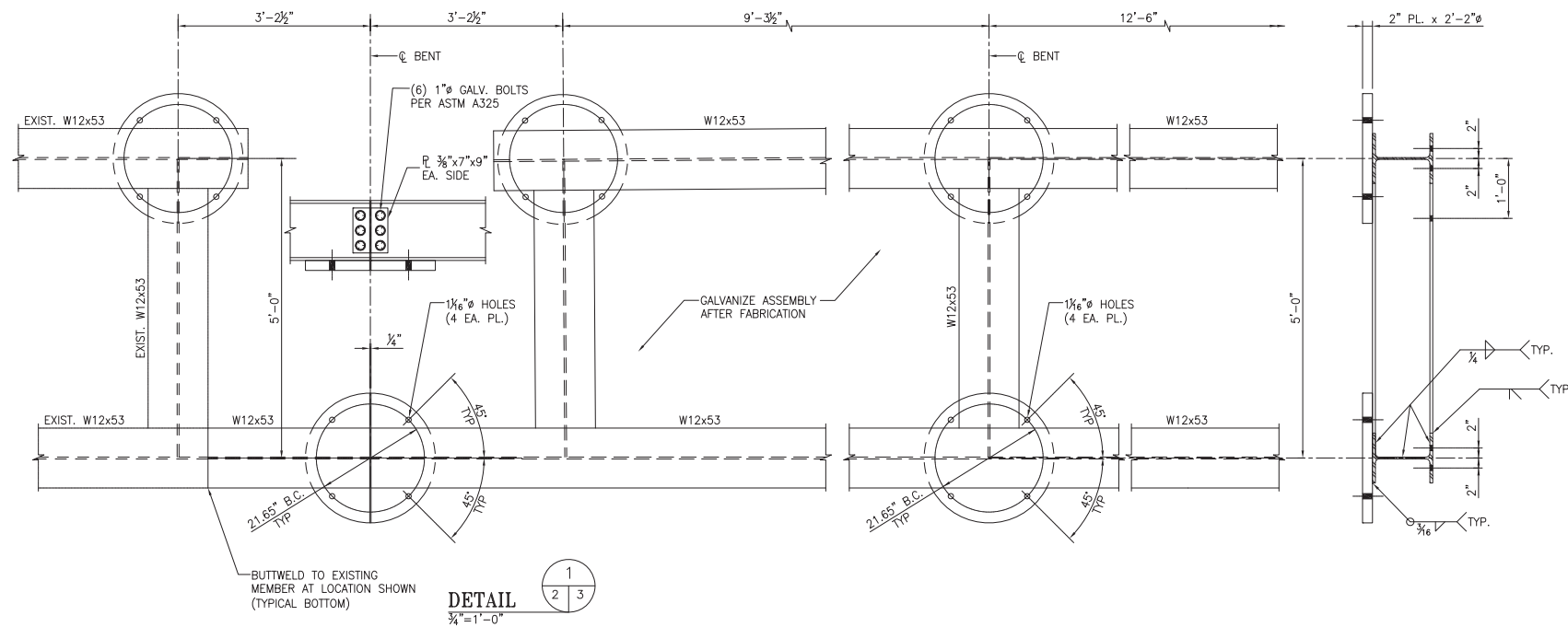


ALABAMA STATE DOCKS
MOBILE, ALABAMA

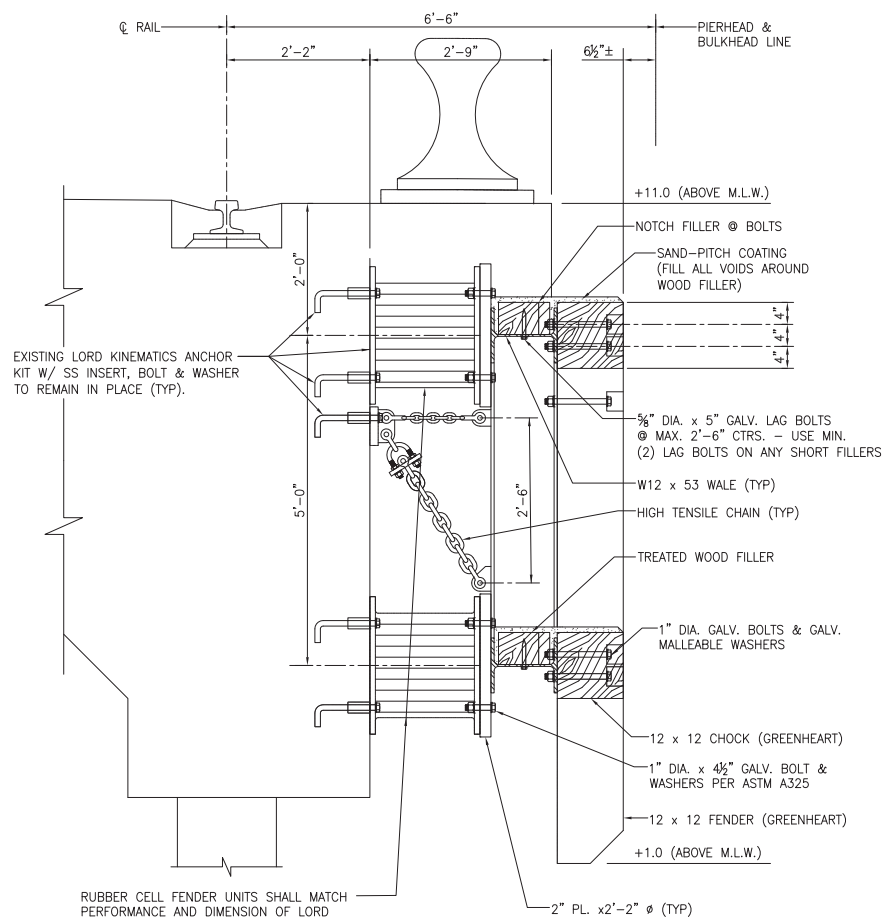


**BERTH 2 FENDER ALLISION REPAIRS
REPLACEMENT DETAILS**

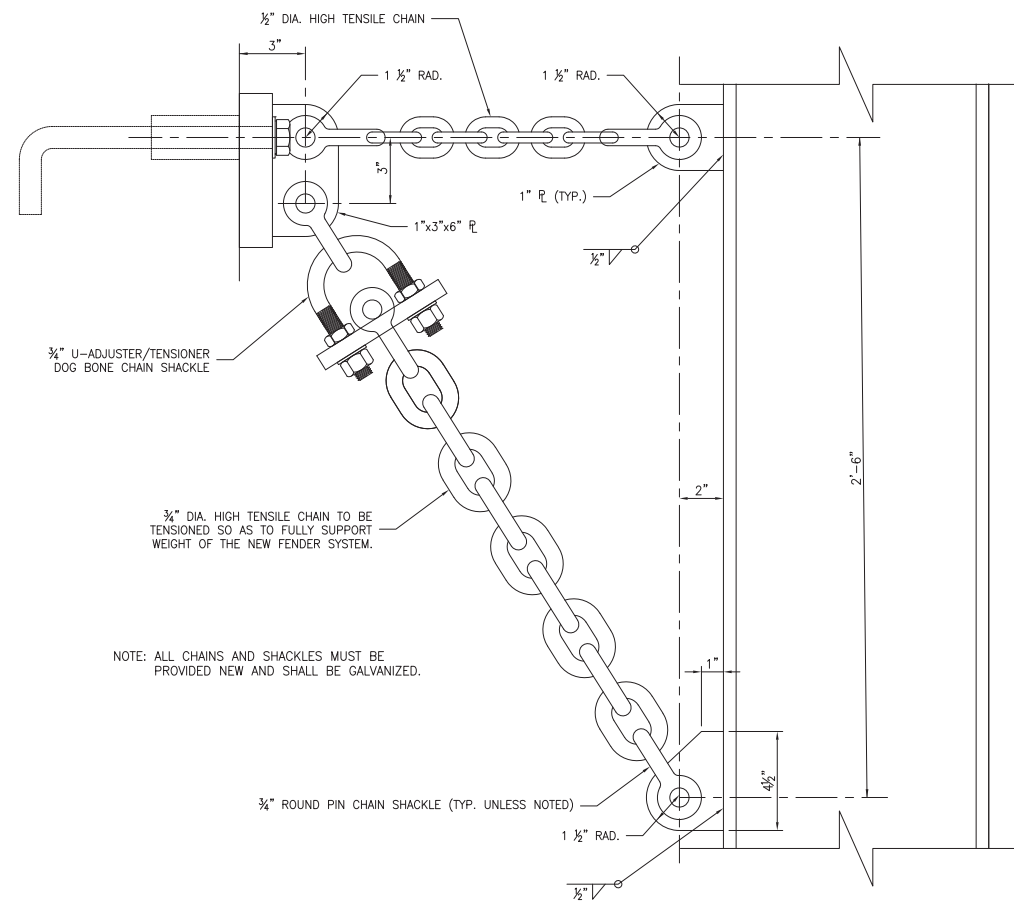
DWG BY:	DATE:	REVISIONS				SCALE:
CMC	10/2020	BY:	DATE:	BY:	DATE:	AS SHOWN
CHKD. BY:	DATE:					DRAWING NO.: 10839-02



DETAIL
1
2 3
3/4"=1'-0"



DETAIL
1
1 3
TYPICAL FENDER SYSTEM DETAIL
3/4"=1'-0"



CHAIN ASSEMBLY
3"=1'-0"

REV NO.	DATE	BY	REVISION
ALABAMA STATE DOCKS MOBILE, ALABAMA			
BERTH 2 FENDER ALLISION REPAIRS FENDER DETAILS			
DWG BY:	DATE:	REVISIONS	SCALE:
CMC	10/2020	BY: DATE: BY: DATE: BY: DATE:	AS SHOWN
CHKD. BY:	DATE:		DRAWING NO.:
			10839-03