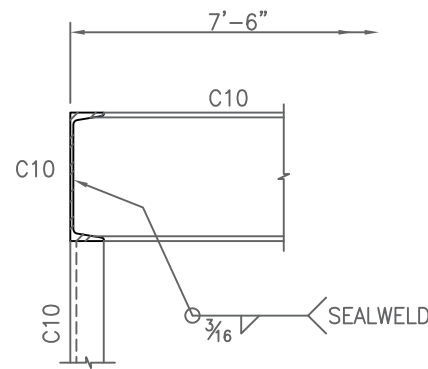
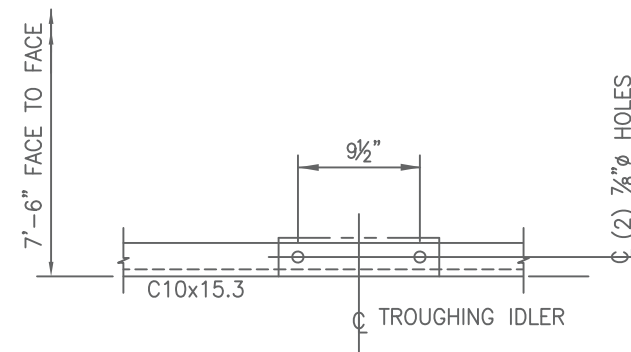


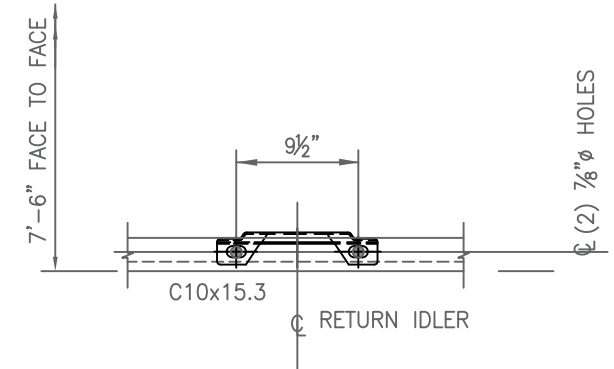
TYPICAL MODULE SUPPORT CONNECTIONS



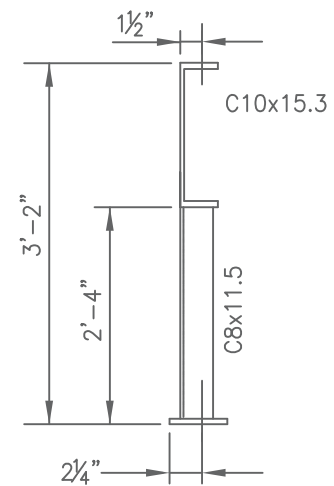
SECTION B-B



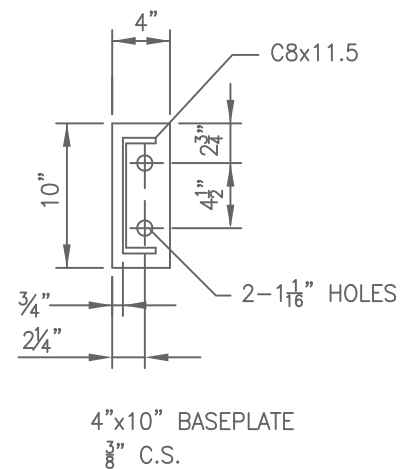
SECTION C-C



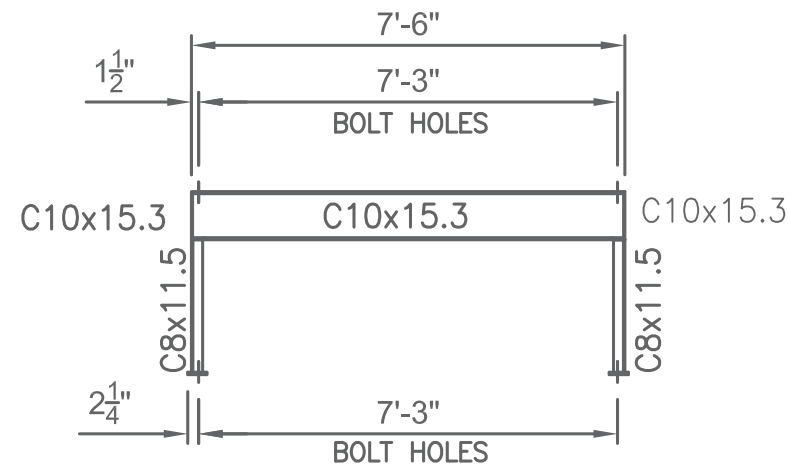
SECTION D-D (LOOKING UP)



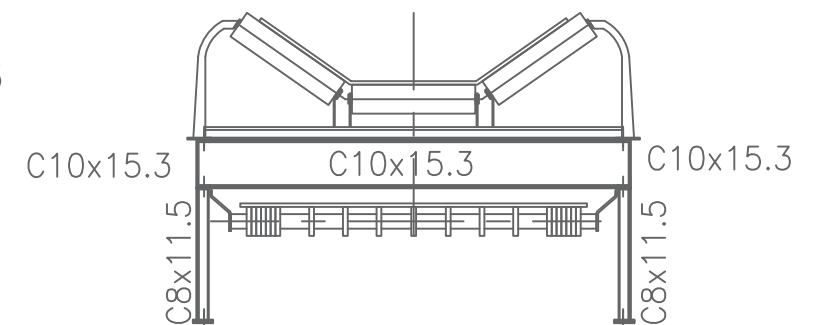
SECTION A-A



SECTION E-E



TYPICAL MODULE FRAME SECTION



TYPICAL MODULE SECTION

REV NO.	DATE	BY	REVISION
A	09/4/20	T.M.A.	FOR BID

ALABAMA STATE PORT AUTHORITY ALABAMA

MOBILE **ALABAMA**

**McDUFFIE COAL TERMINAL
TOWER T-10 CONVEYOR-12B REPLACEMENT
FRAME DETAILS**

DWG BY:	DATE:	REVISIONS				SCALE:
T.M.A.	09/4/20	BY:	DATE:	BY:	DATE:	AS NOTED
CHKD. BY:	DATE:					DRAWING NO.:
....	09/4/20					C12B-M1006