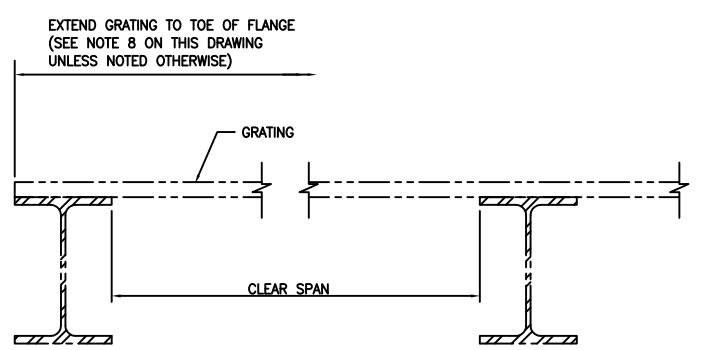


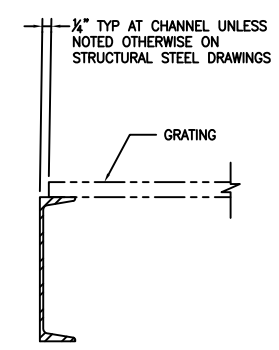
TYPICAL GRATING PLAN
1/2" = 1'-0"

NOTES:

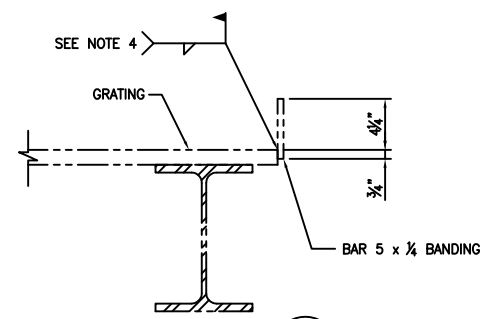
- FOR STRUCTURAL STEEL GENERAL NOTES, SEE DRAWING G1.
- CIRCULAR OPENINGS 12 INCHES IN DIAMETER AND LARGER AND RECTANGULAR OPENINGS 12 INCHES AND LARGER IN THE SMALLER DIMENSION SHALL BE Banded WITH TOEBOARD BANDING WITH A MINIMUM CLEARANCE OF 2 INCHES FROM PIPE, DUCT, OR EQUIPMENT. OPENINGS WITH A MAXIMUM DIAMETER OR SIDE DIMENSION OF 4 1/2" NEED NOT BE Banded. OTHER OPENINGS SHALL BE Banded WITH BARS THE SIZE OF BEARING BARS WHICH SHALL HAVE 1 INCH MAXIMUM CLEARANCE FROM PIPE, DUCT, OR EQUIPMENT.
- OPENINGS FOR PIPE 6 INCHES IN DIAMETER AND SMALLER, INCLUDING INSULATION MAY HAVE A SQUARE OPENING, ALL OTHER OPENINGS FOR SMALL PIPE SHALL BE ROUND.
- BANDING SHALL BE WELDED TO EVERY FIFTH BEARING BAR WITH 1/8" FILLET WELD ON ONE SIDE OF THE BEARING BAR, EXCEPT THE LOAD BEARING BANDING AT OPENINGS SHALL BE WELDED TO ONE SIDE OF EACH BEARING BAR WITH A FILLET WELD EQUAL IN SIZE TO THE THICKNESS AND DEPTH OF THE BEARING BAR.
- EXPOSED ENDS OF GRATING AT LADDER ENTRANCE SHALL BE Banded WITH A BAR THE SIZE OF BEARING BARS.
- EXPOSED ENDS OF GRATING AT TOP OF STAIRS TO HAVE NOSING TO MATCH STAIR TREADS.
- OPENINGS 12 INCHES IN DIAMETER AND SMALLER SHALL BE FIELD LOCATED AND FIELD CUT.
- WHERE FLANGE DIMENSIONS VARY, EXTEND GRATING TO TOE OF FLANGE OF WIDEST MEMBER.



SECTION
1 1/2" = 1'-0"



SECTION AT CHANNEL



DETAIL
1 1/2" = 1'-0"
(TOEBOARD BANDING - SEE NOTE 4)

T.M.A.	04/16/20	T.M.A.	ISSUE FOR BID
REV NO.	DATE:	BY	REVISION
		ALABAMA STATE PORT AUTHORITY	
		MOBILE	ALABAMA
McDUFFIE COAL TERMINAL TOWER T-10 STRUCTURAL REPAIR STEEL STANDARDS - GRATING DETAILS			
DWG BY:	DATE:	REVISIONS	
T.M.A.	04/16/20	BY:	DATE:
CHKD. BY:	DATE:	BY:	DATE:
SCALE:			AS NOTED
DRAWING NO.:			T-10 -S001