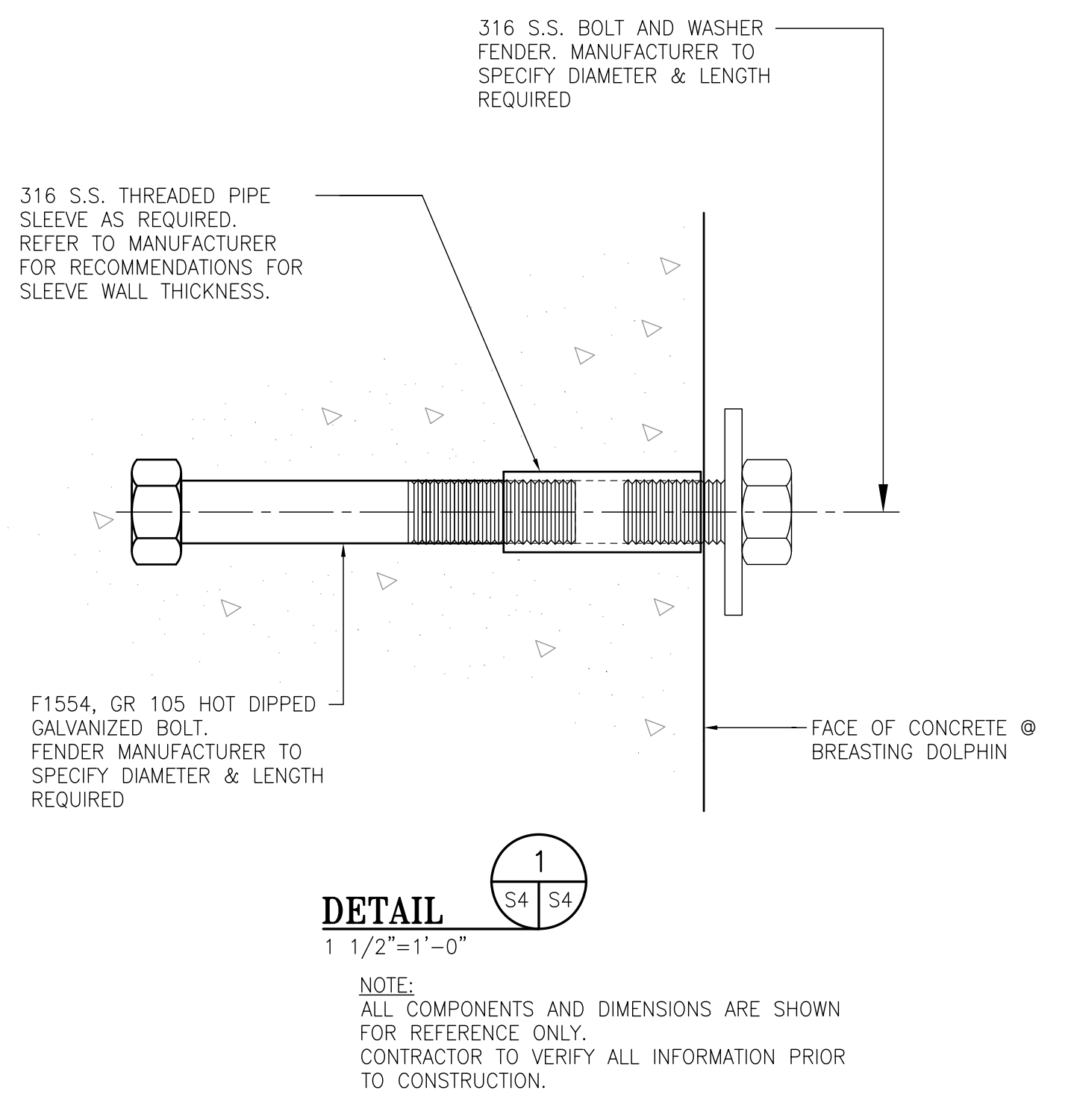
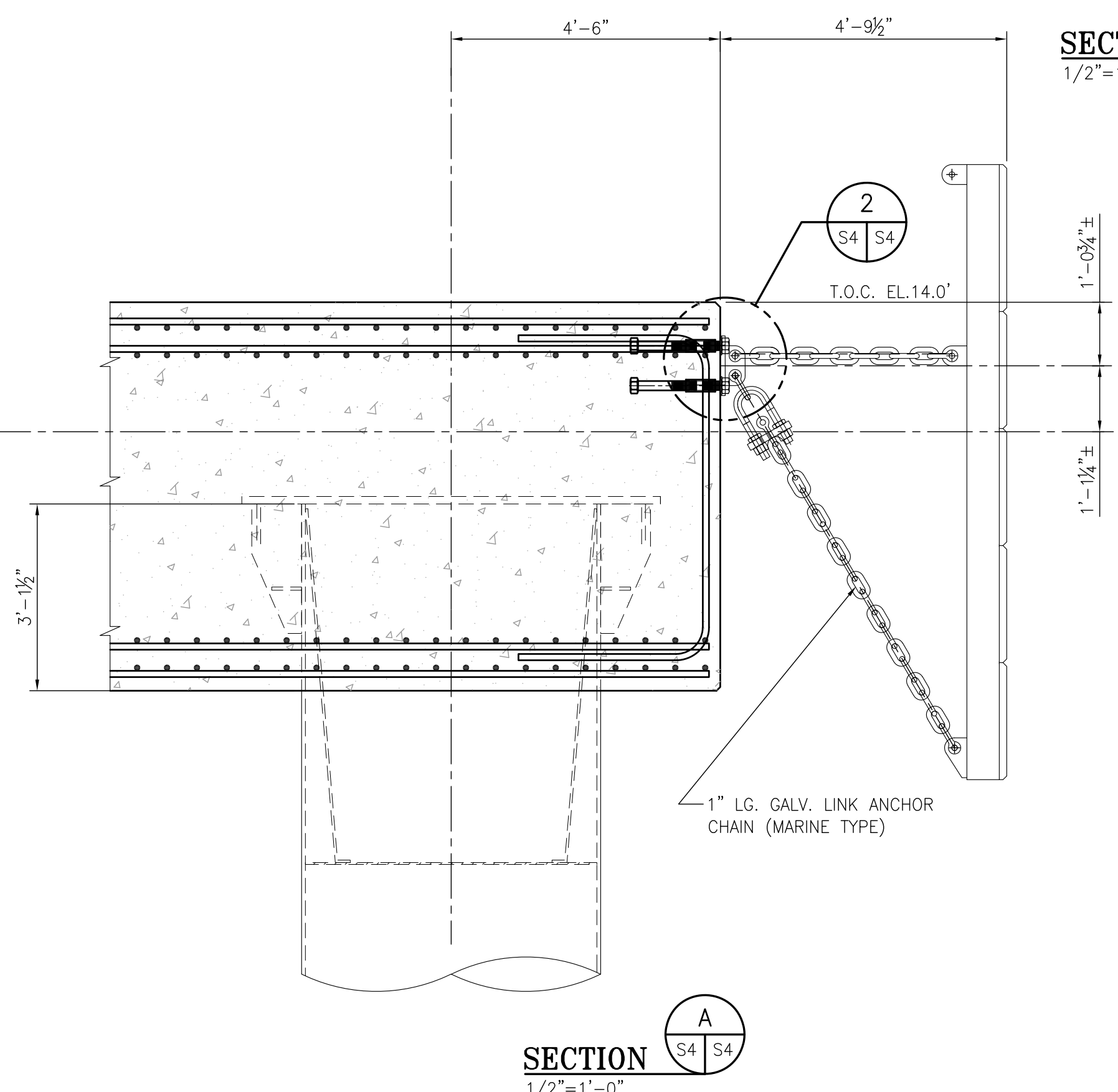
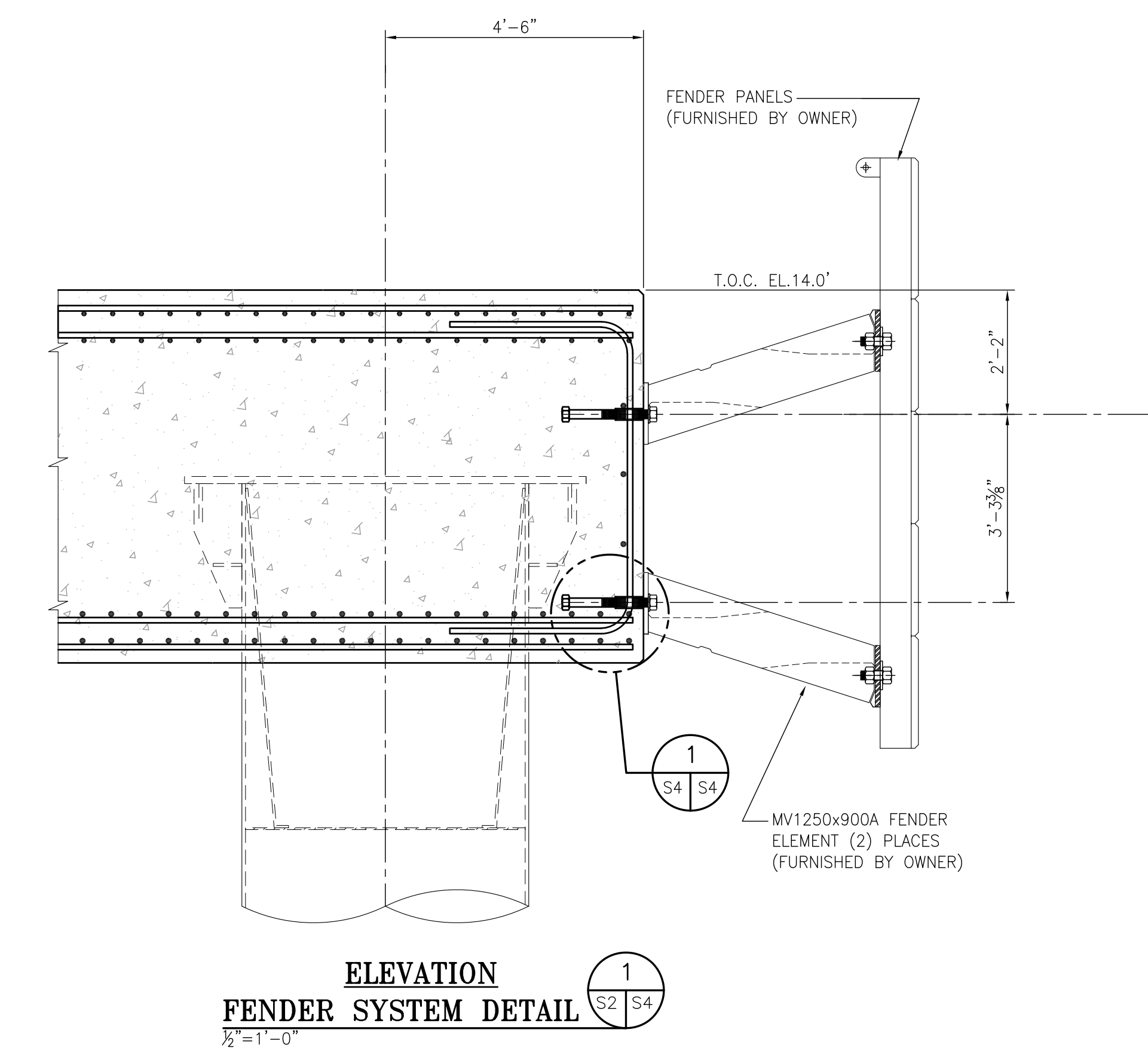
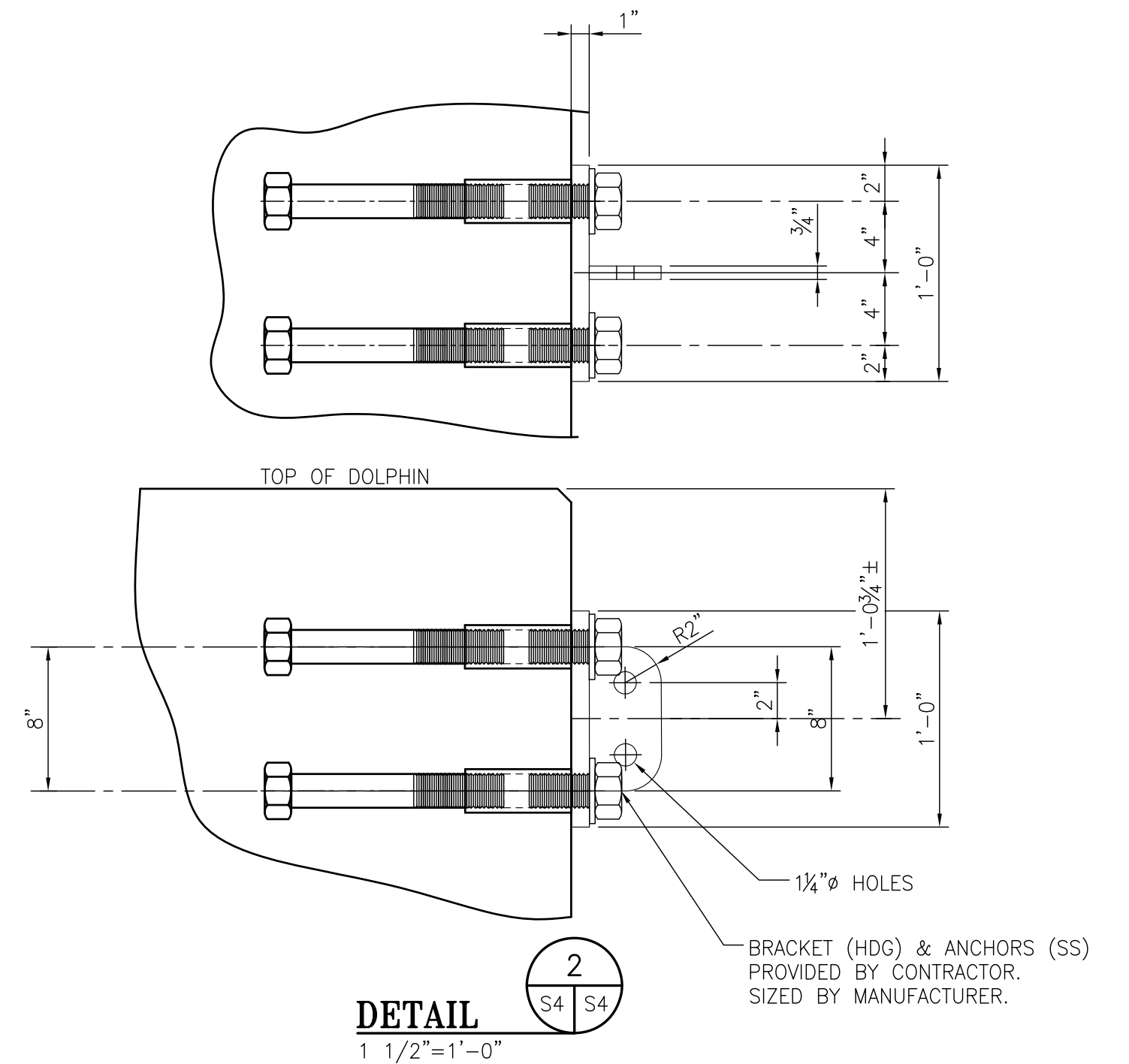
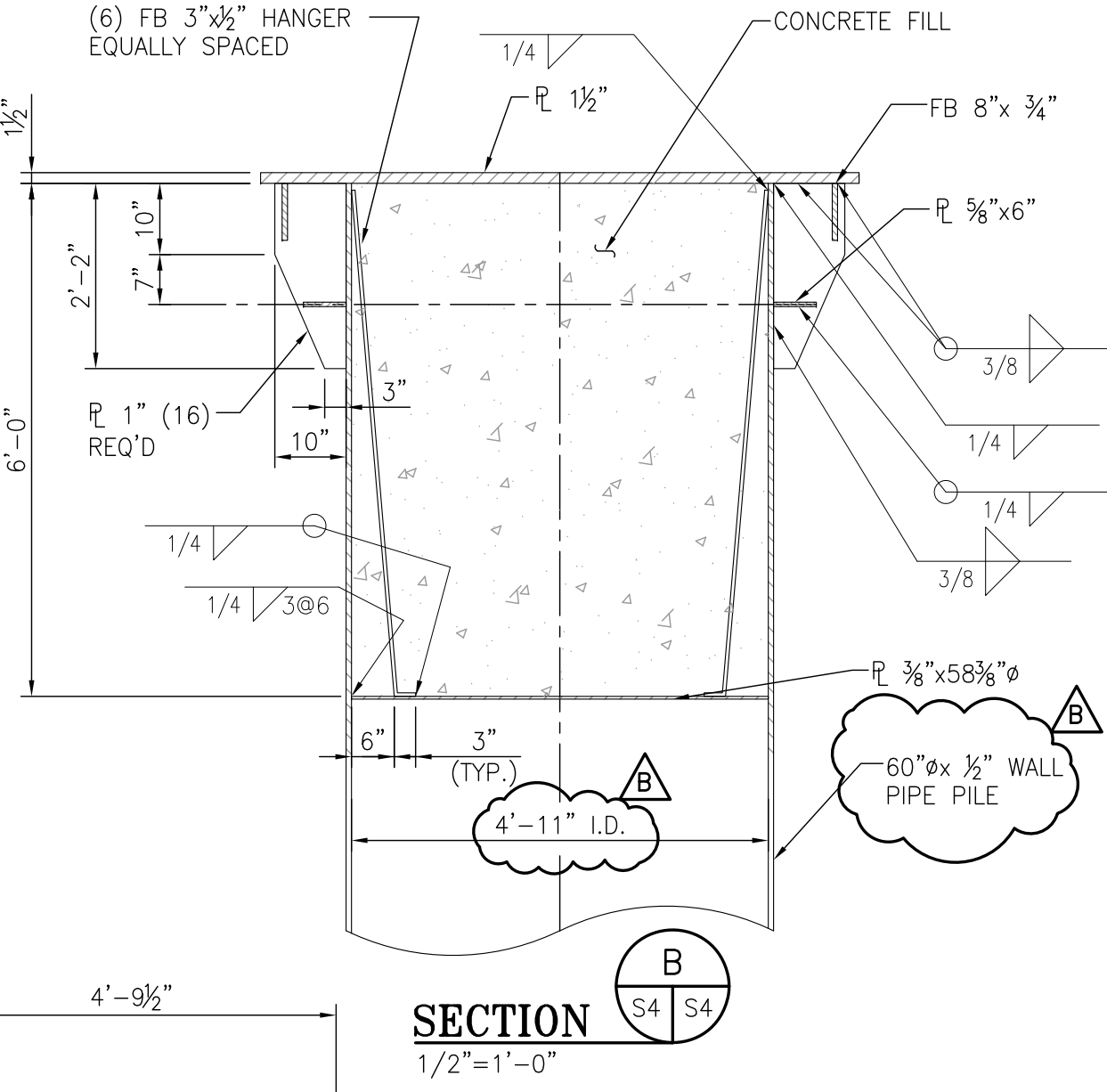
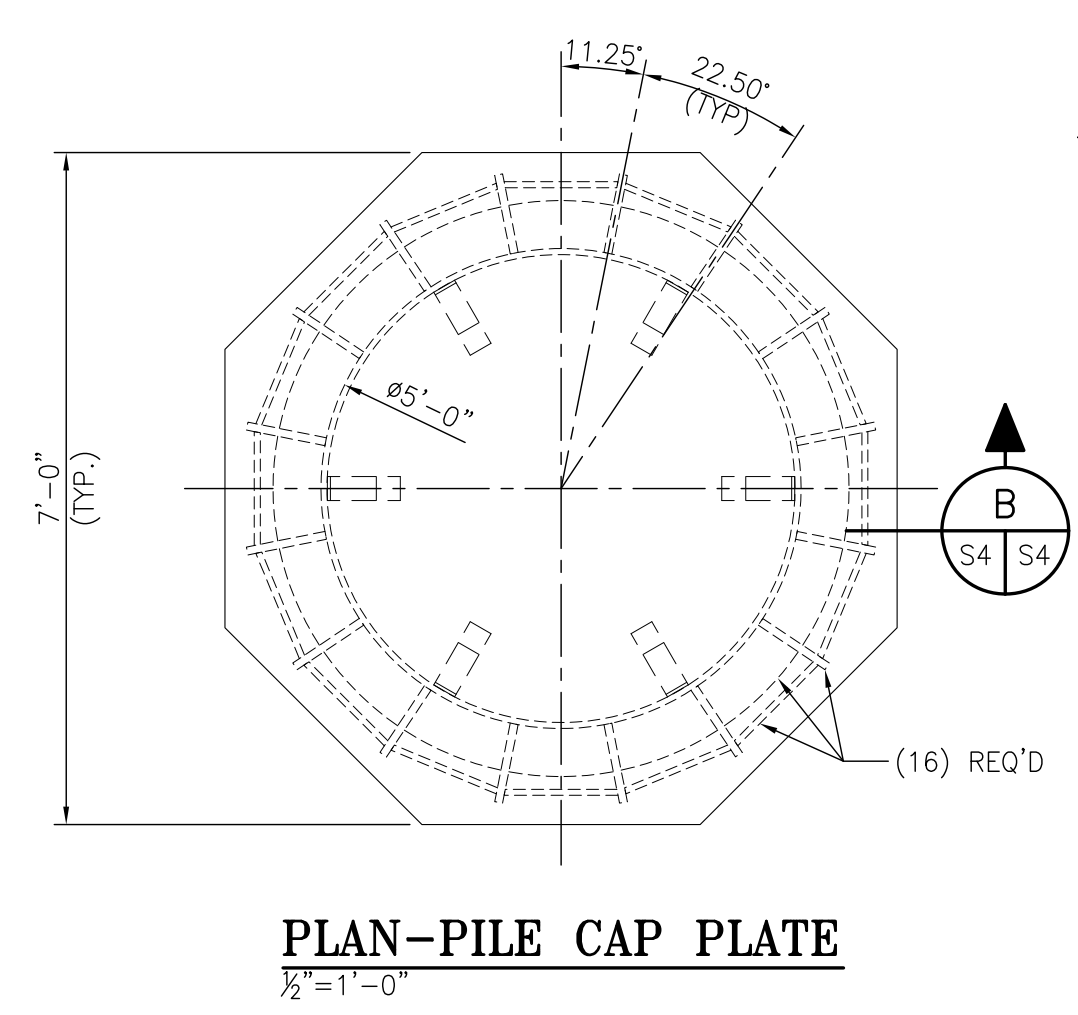
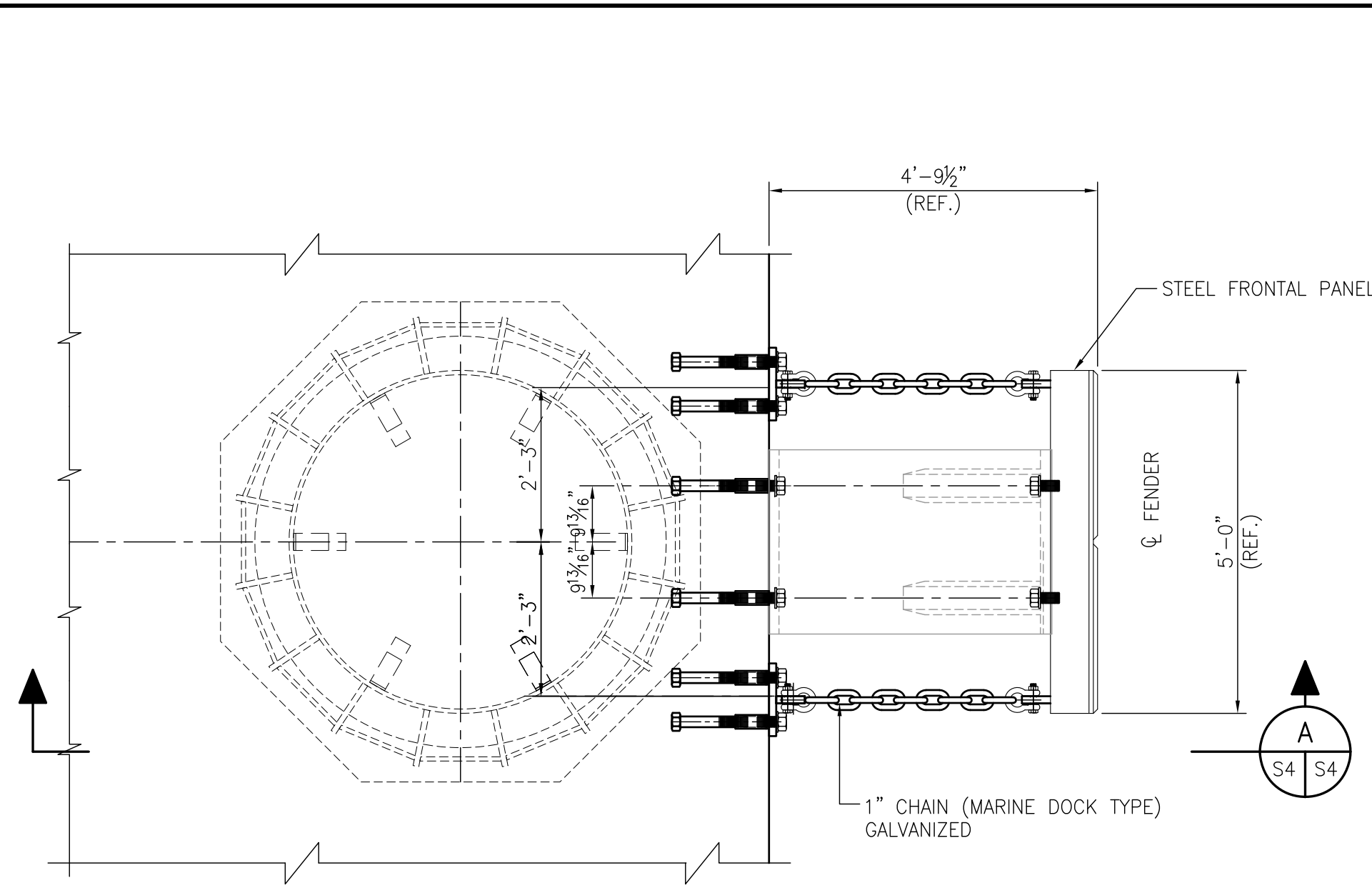


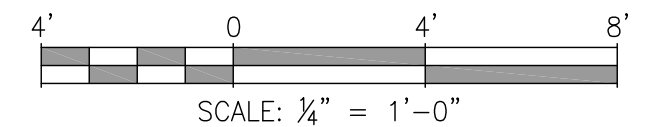
**ALABAMA STATE PORT AUTHORITY
SPECIFICATIONS AND CONTRACT DOCUMENTS
FOR
AUTOMOTIVE RO/RO TERMINAL
BREASTING DOLPHIN CONSTRUCTION**

**ADDENDUM NO. 2
JULY 10, 2020**

1. Please refer to attached revised Drawing 4363-S4 in which Section B has been revised to correctly reflect 60" diameter $\frac{1}{2}$ " wall pipe in lieu of the previously noted $\frac{3}{4}$ " wall pipe.



NOTE:
RUBBER FENDER ELEMENTS, PANELS AND HARDWARE TO BE FURNISHED BY THE OWNER.
ALL CONCRETE EMBEDS AND BOLTS FOR MOUNTING PURPOSES ARE TO BE SUPPLIED BY THE CONTRACTOR.



ALABAMA STATE PORT AUTHORITY
MOBILE ALABAMA

APTIM
PORT SERVICES, LLC

CLIENT DWG NO:
AUTOMOTIVE RO/RO TERMINAL BREASTING DOLPHIN CONSTRUCTION FENDER DETAILS
FOR: ALABAMA STATE PORT AUTHORITY
PROJECT NO: 4363 DWG NO: S4 REV: B

NO.	REVISION	DATE	DRAWN	CK'D	APPD	DATE
B	REVISED FOR BID	07/09/20	LRH	JEJ	RSG	
A	ISSUED FOR BID	05/18/20	LRH	JEJ	RSG	

THIS DOCUMENT IS THE PROPERTY OF APTIM. IT MAY CONTAIN INFORMATION DESCRIBING TECHNOLOGY OWNED BY APTIM AND DEEMED TO BE COMMERCIAL SENSITIVE. IT IS TO BE USED ONLY IN CONNECTION WITH WORK BEING PERFORMED BY APTIM. REPRODUCTION IN WHOLE OR IN PART FOR ANY PURPOSE OTHER THAN WORK PERFORMED BY APTIM IS FORBIDDEN EXCEPT BY EXPRESS WRITTEN PERMISSION OF APTIM. IT IS TO BE SAFEGUARDED AGAINST BOTH DELIBERATE AND INADVERTENT DISCLOSURE TO ANY THIRD PARTY.

DRAWN: LRH CK'D: RSG APPD: RSG DATE: 04/13/20 SCALE: 1/2" = 1'-0"