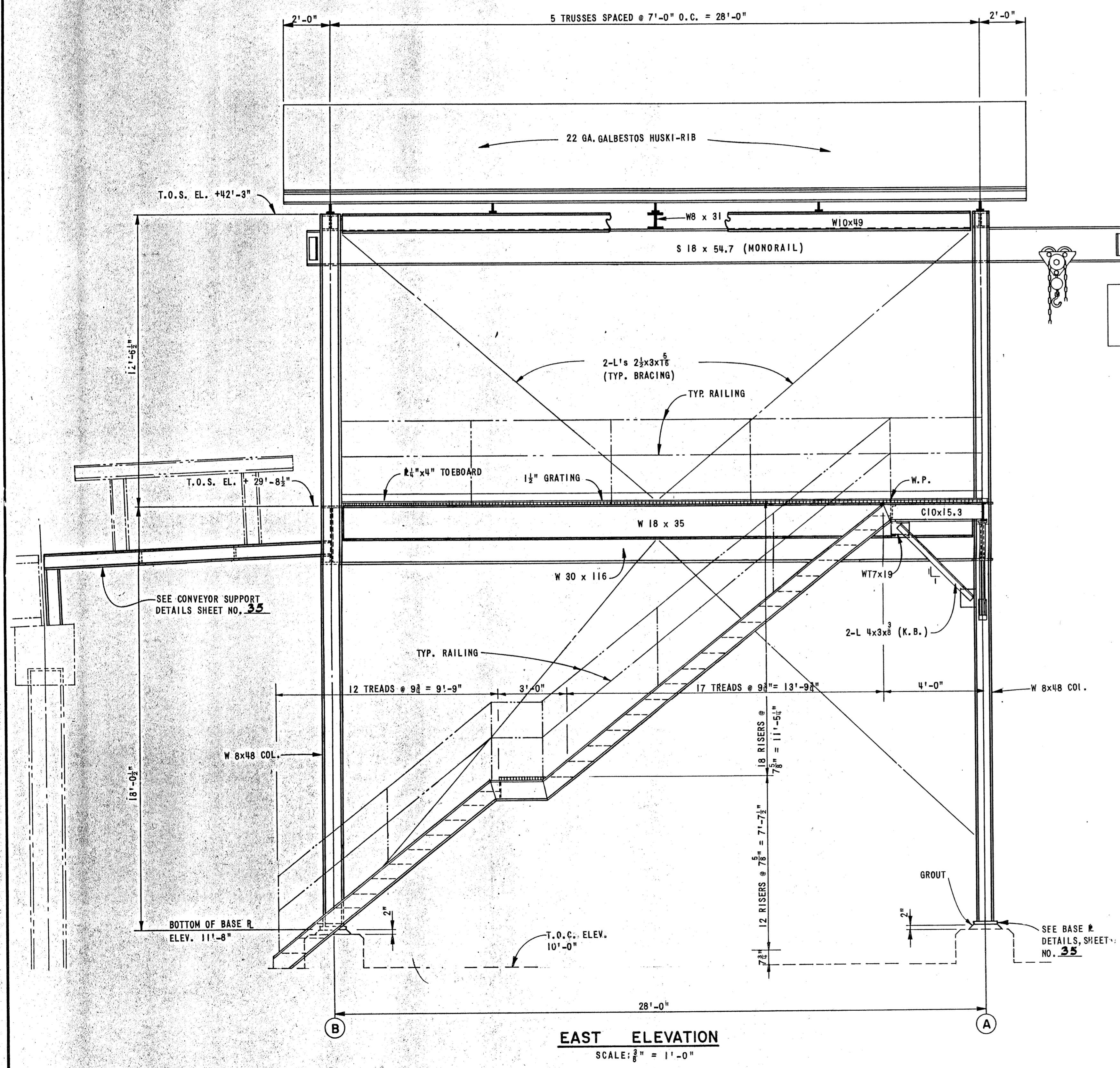
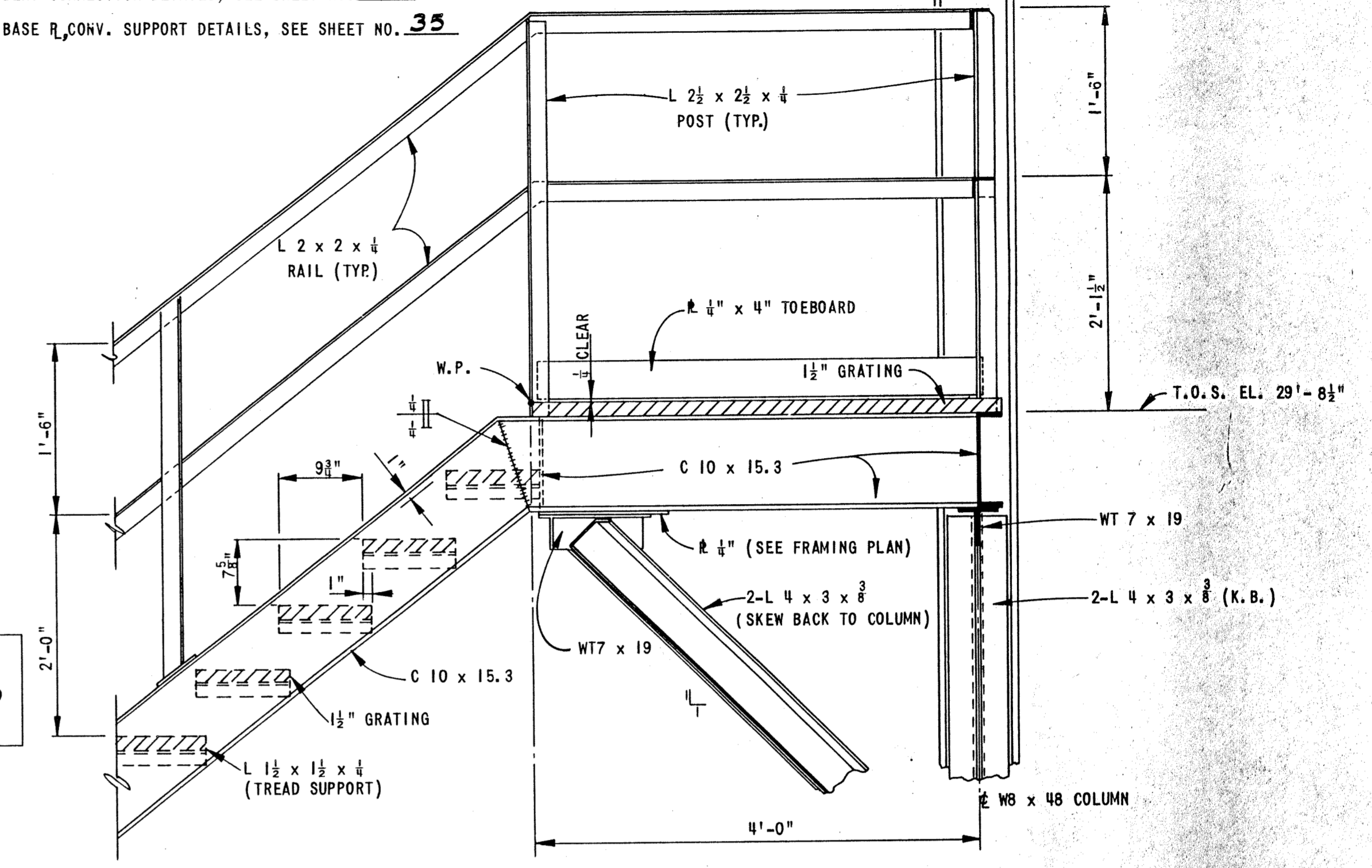


NOTES

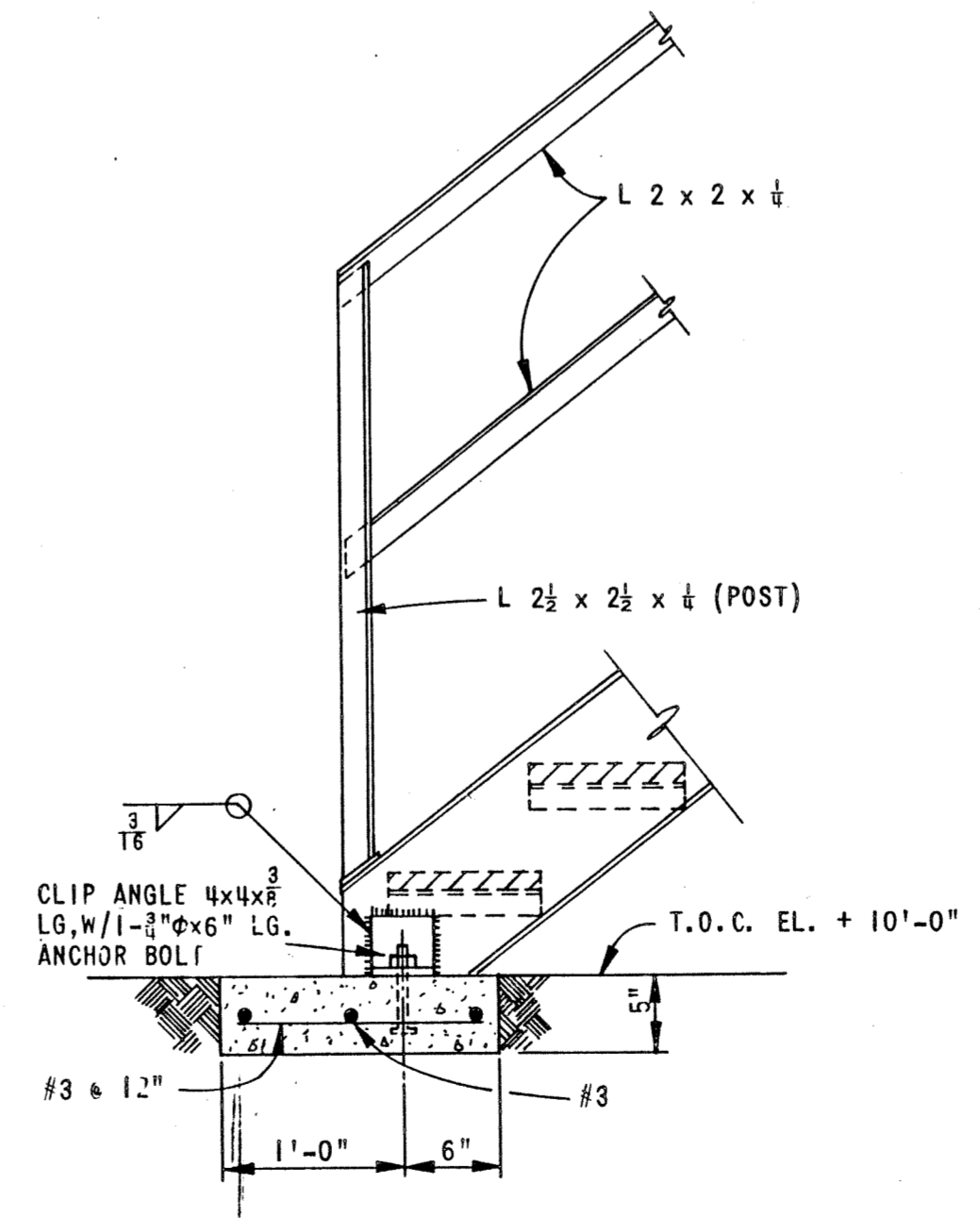
- ① FOR TRANSFER TOWER T-6 FRAMING PLANS, SEE SHEET NO. 36
- ② FOR TOWER T-6 FOUNDATION PLAN & DETAILS, SEE SHEET NO. 115
- ③ FOR TOWER T-6 NORTH ELEVATION & TRUSS DETAILS, SEE SHEET NO. 32
- ④ FOR TOWER T-6 SOUTH ELEVATION BENT CONNECTION DETAILS, SEE SHEET NO. 33
- ⑤ FOR TOWER T-6 WEST ELEVATION, BASE R₁ CONV. SUPPORT DETAILS, SEE SHEET NO. 35



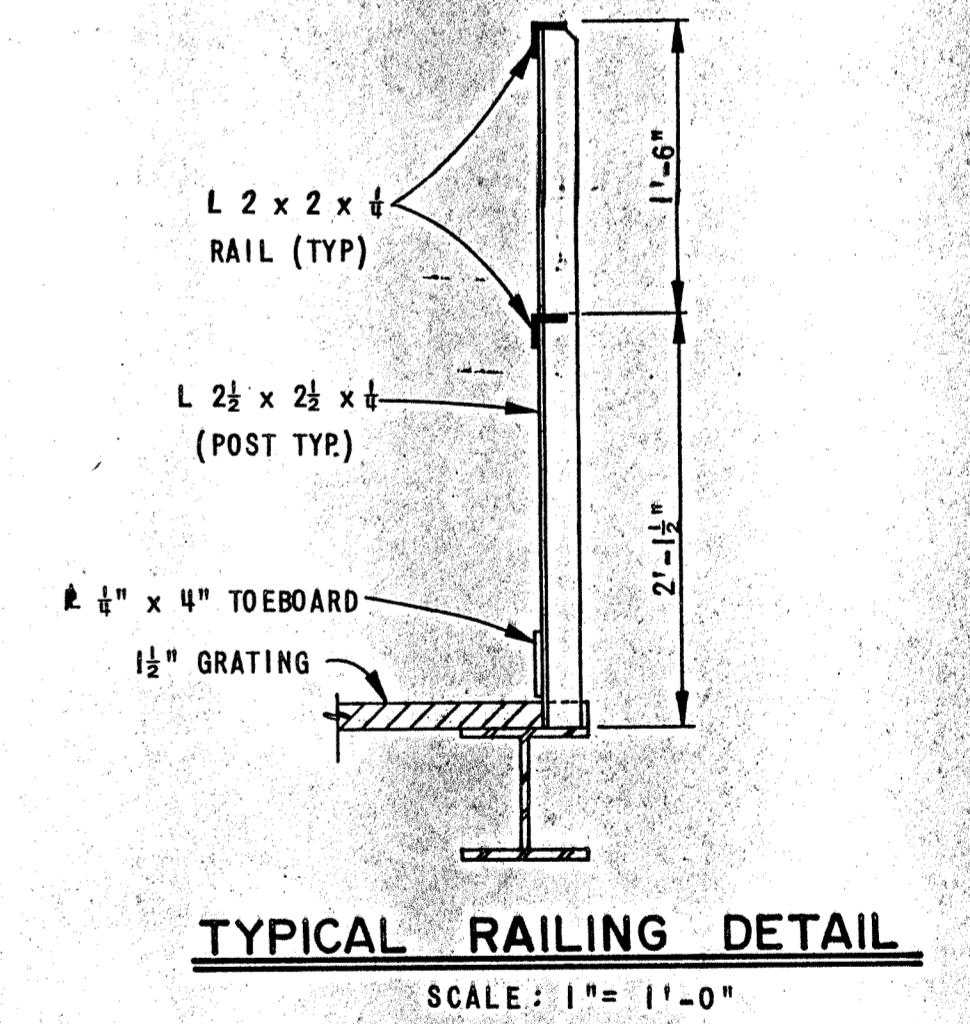
EAST ELEVATION
SCALE: 3/8" = 1'-0"



T-6 STAIR PLATFORM & RAILING DETAILS
SCALE: 1" = 1'-0"



STAIR & RAILING DETAILS
SCALE: 1" = 1'-0"



TYPICAL RAILING DETAIL
SCALE: 1" = 1'-0"

EAST ELEVATION & DETAILS

ALABAMA STATE DOCKS
McDUFFIE TERMINALS
PLANT EXPANSION

NEW TRANSFER TOWER T-6

DAVID VOLKERT & ASSOCIATES CONSULTING ENGINEERS		
DESIGNED D.J.D.	DETAILED D.J.D.	TRACED W.J.A.
CHECKED	CHECKED	CHECKED
DATE		

REVISIONS	
DATE	