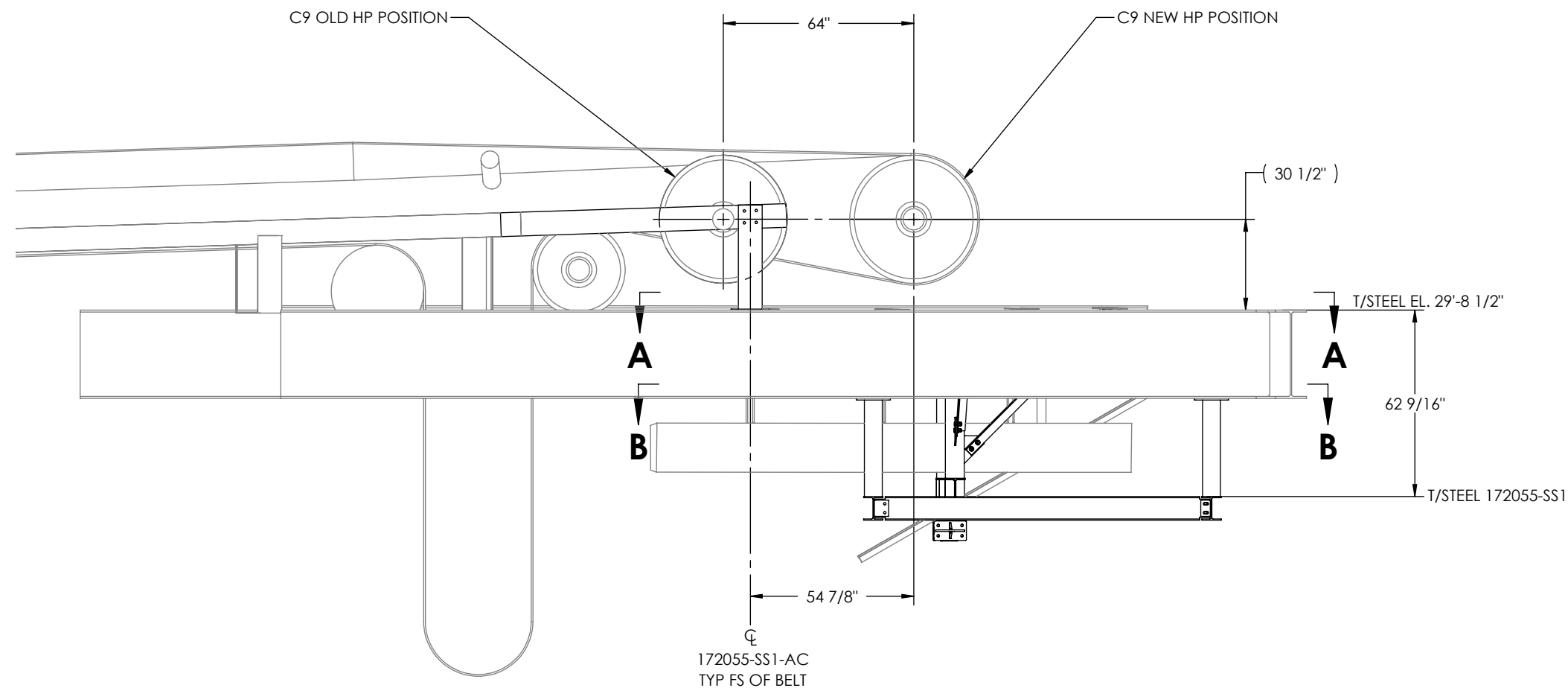


- NOTES:
1. NOT ALL STRUCTURE CAN BE INSTALLED PRIOR TO INSTALLING THE CHUTE COMPONENTS. FORETHOUGHT, BY THE INSTALLATION CONTRACTOR, SHOULD BE GIVEN TO THE INSTALLATION SEQUENCE.
 2. THE CONTRACTOR SHALL FOLLOW WRITTEN DIMENSIONS ONLY. DO NOT SCALE DRAWINGS.
 3. ALL DETAILS AND SECTIONS SHOWN ON THE DRAWINGS ARE INTENDED TO APPLY AT ANY SIMILAR CONDITION ELSEWHERE ON THE JOB EXCEPT WHERE A DIFFERENT DETAIL OR SECTION IS SHOWN.
 4. THE INSTALLATION CONTRACTOR SHALL VERIFY ALL DIMENSIONS AND ELEVATIONS WITH THE EXISTING CONDITIONS. WHERE DISCREPANCIES OCCUR, IT IS THE CONTRACTOR'S RESPONSIBILITY TO NOTIFY FLEXCO PRIOR TO CONSTRUCTION.
 5. REFER TO SHEET 172055-STR-302 FOR SECTION A-A
 6. REFER TO SHEET 172055-STR-303 FOR SECTION B-B



ELEVATION VIEW
 C9 BELT STRINGER MODIFICATION
 LOOKING PERPENDICULAR TO C9
 FLEXCO SUPPLIED COMPONENTS AND
 SOME EXISTING STRUCTURE HIDDEN FOR CLARITY

TOLERANCES U.N.O.

ANGULAR	METRIC
ANGULAR (BEND) ±1°	WHOLE NUMBER ... ±2 mm
ANGULAR (MACH)..... ±0.1°	
IMPERIAL	METRIC MACHINE
FRACTIONAL ±1/8	X. mm ±0.5 mm
TWO PLACE DECIMAL ±0.01	X.X mm ±0.2 mm
THREE PLACE DECIMAL ... ±0.005	X.XX mm ±0.10 mm
FOUR PLACE DECIMAL ... ±0.0005	X.XXX mm ±0.050 mm

THIRD ANGLE PROJECTION
 ALL DIMENSIONS ARE IN MILLIMETERS U.N.O.
 DO NOT SCALE DRAWING

THIS DRAWING REMAINS THE PROPERTY OF FLEXCO AND
 MUST NOT BE DISCLOSED TO ANY THIRD PARTY WHATSOEVER,
 WITHOUT THE WRITTEN PERMISSION OF FLEXCO. ALL RIGHTS
 OF CONCEPT, DESIGN, INVENTION ARE RESERVED.



10351 RISING CT WOODRIDGE, IL 60517 UNITED STATES
 Ph: +1 (630)410 2003 - Fax: +1 (630)783 1527
 49 HANBURY ST. BUNDABERG QLD 4670 AUSTRALIA
 Ph: +61 7 4151 0359 - Fax: +61 7 4151 0263



ASD
 MCDUFFIE TERMINAL
 C9 TO C4 AND C15
 STRUCTURAL DRAWING
 SHEET SCALE: 1:48 U.N.O.

CLIENT DRAWING No.

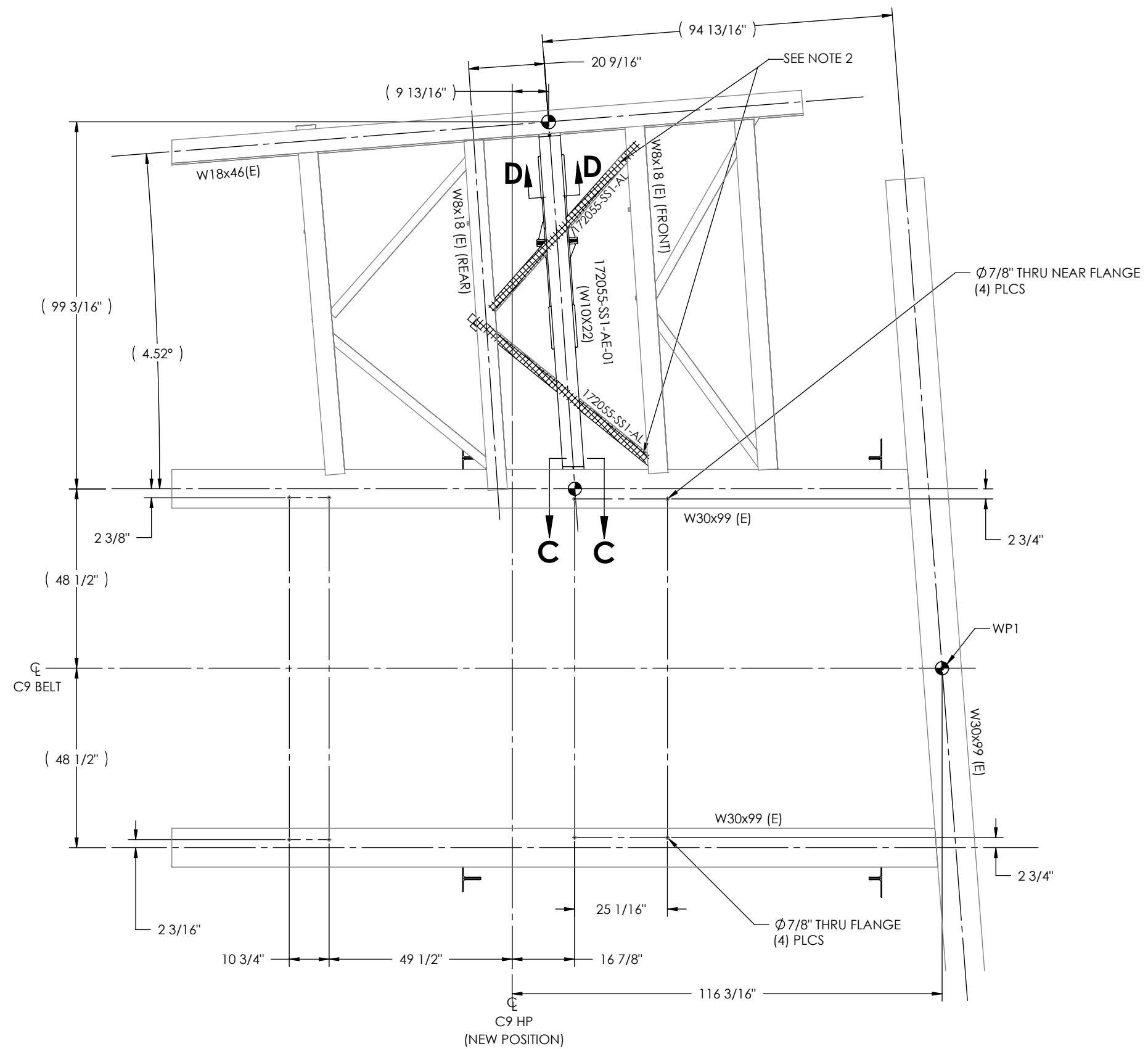
DRAWING No.
 172055-STR-301

REV

0

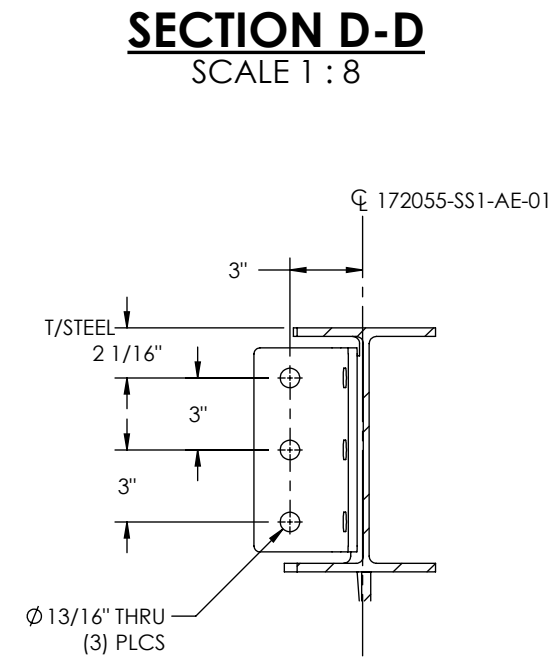
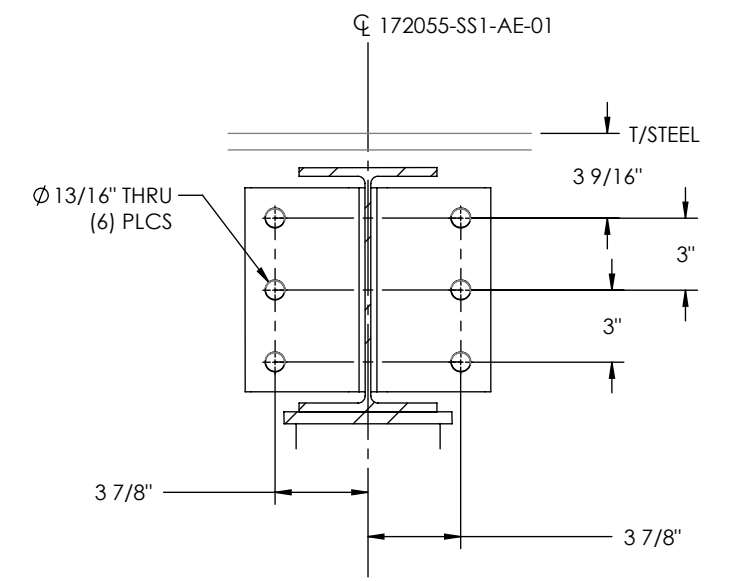
SIZE B

REV NO.	DESCRIPTION	DATE	BY	CHKD BY
0	ISSUED FOR CONSTRUCTION	2018-04-03	HMH	JDD



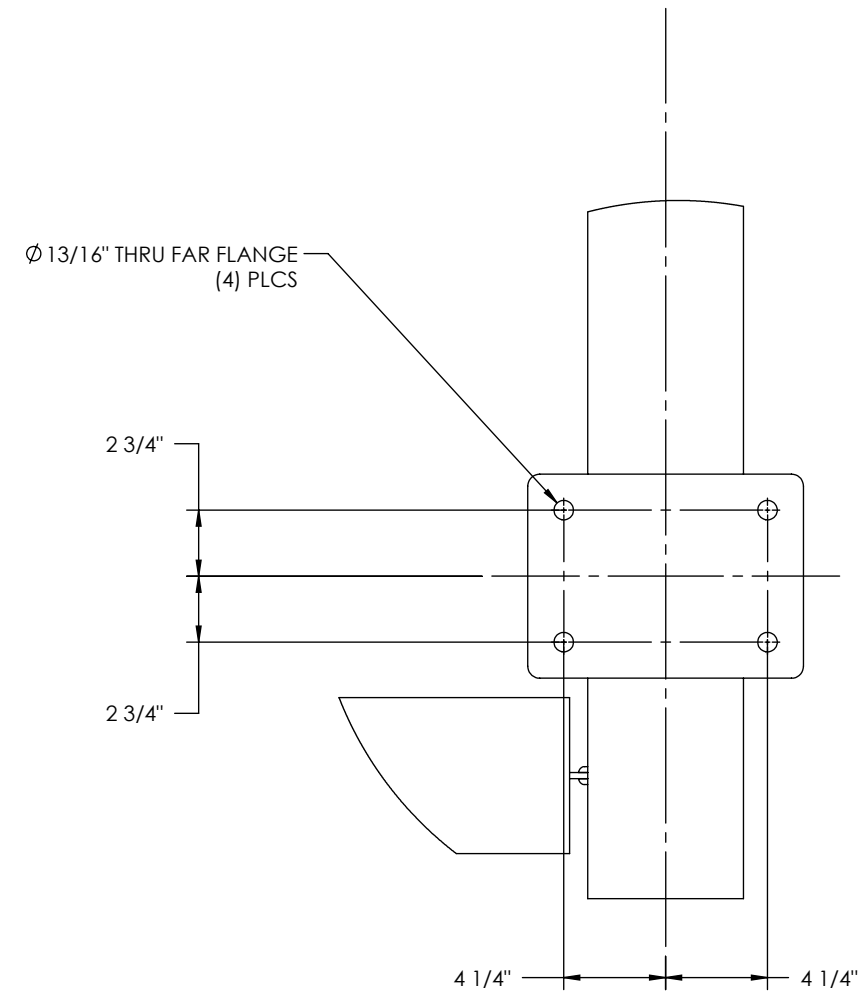
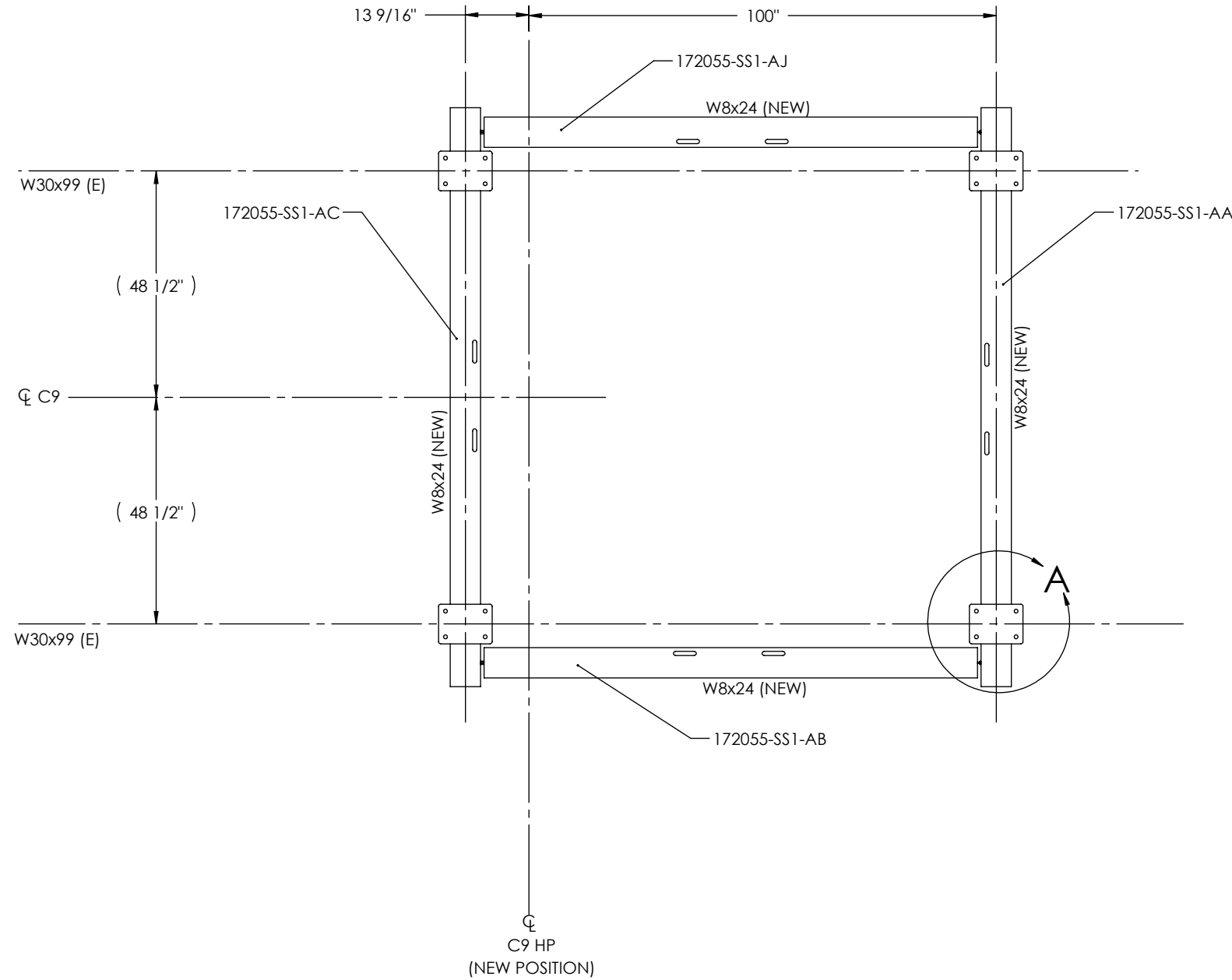
SECTION A-A
 EXISTING STRUCTURE MODIFICATION
 T/STEEL 29'-8 1/2"
 FLEXCO COMPONENTS AND
 SOME EXISTING STRUCTURE HIDDEN FOR CLARITY

NOTES:
 1. SOURCE FOR SECTION A-A ON SHEET 172055-STR-301
 2. REMOVE THE (2) EXISTING L2 1/2x2 1/2 ANGLE BRACKETS IN THE HATCHED AREA. REPLACE EACH REMOVED ANGLE BRACKET WITH (2) 172055-SS1-AL L2 1/2x2 ANGLE BRACKETS, (4) TOTAL. (1) OF THESE ANGLES FOR EACH REMOVED BRACKET WILL BE PLACED ON THE FRONT SIDE OF 172055-SS1-AE-01, AND THE OTHER WILL BE PLACED ON THE REAR SIDE. ONE SIDE OF EACH 172055-SS1-AL WILL BE FIELD CUT AND WELDED TO THE BOTTOM CENTER OF 172055-SS1-AE-0, WHILE THE OTHER WILL BE WELDED TO THE BOTTOM OF AN EXISTING W8x18 ON THE FRONT OR REAR SIDE OF 172055-AE-01.



SECTION C-C
 SCALE 1 : 8

				TOLERANCES U.N.O.		THIRD ANGLE PROJECTION ALL DIMENSIONS ARE IN MILLIMETERS U.N.O. DO NOT SCALE DRAWING				ASD MCDUFFIE TERMINAL C9 TO C4 AND C15 STRUCTURAL DRAWING		CLIENT DRAWING NO. CLIENT DRAWING NO.	
				ANGULAR ANGULAR (BEND) ±1° ANGULAR (MACH)..... ±0.1°		METRIC WHOLE NUMBER ... ±2 mm		METRIC MACHINE X, mm ±0.5 mm X.X mm ±0.2 mm X.XX mm ±0.10 mm X.XXX mm ±0.050 mm		10351 RISING CT WOODRIDGE, IL 60517 UNITED STATES Ph: +1 (630)410 2003 - Fax: +1 (630)783 1527 49 HANBURY ST, BUNDABERG QLD 4670 AUSTRALIA Ph: +61 7 4151 0359 - Fax: +61 7 4151 0263		DRAWING No. 172055-STR-302	
				IMPERIAL FRACTIONAL ±1/8 TWO PLACE DECIMAL ±0.01 THREE PLACE DECIMAL ... ±0.005 FOUR PLACE DECIMAL ... ±0.0005				THIS DRAWING REMAINS THE PROPERTY OF FLEXCO AND MUST NOT BE DISCLOSED TO ANY THIRD PARTY WHATSOEVER, WITHOUT THE WRITTEN PERMISSION OF FLEXCO. ALL RIGHTS OF CONCEPT, DESIGN, INVENTION ARE RESERVED.		SHEET SCALE: 1:32 U.N.O.		REV 0	
REV NO.	DESCRIPTION	DATE	BY	CHKD BY					SIZE B		0		



DETAIL A
SCALE 1 : 8
(4) PLCS

SECTION B-B
EXISTING STRUCTURE MODIFICATION
BELOW T/STEEL 29'-8 1/2"
FLEXCO COMPONENTS AND
SOME EXISTING STRUCTURE HIDDEN FOR CLARITY

TOLERANCES U.N.O.

ANGULAR		METRIC	
ANGULAR (BEND)	±1°	WHOLE NUMBER ...	±2 mm
ANGULAR (MACH).....	±0.1°		
IMPERIAL		METRIC MACHINE	
FRACTIONAL	±1/8	X. mm	±0.5 mm
TWO PLACE DECIMAL	±0.01	X.X mm	±0.2 mm
THREE PLACE DECIMAL ...	±0.005	X.XX mm	±0.10 mm
FOUR PLACE DECIMAL ...	±0.0005	X.XXX mm	±0.050 mm

THIRD ANGLE PROJECTION
ALL DIMENSIONS ARE IN MILLIMETERS U.N.O.
DO NOT SCALE DRAWING

THIS DRAWING REMAINS THE PROPERTY OF FLEXCO AND
MUST NOT BE DISCLOSED TO ANY THIRD PARTY WHATSOEVER,
WITHOUT THE WRITTEN PERMISSION OF FLEXCO. ALL RIGHTS
OF CONCEPT, DESIGN, INVENTION ARE RESERVED.



10351 RISING CT WOODRIDGE, IL 60517 UNITED STATES
Ph: +1 (630)410 2003 - Fax: +1 (630)783 1527
49 HANBURY ST. BUNDABERG QLD 4670 AUSTRALIA
Ph: +61 7 4151 0359 - Fax: +61 7 4151 0263

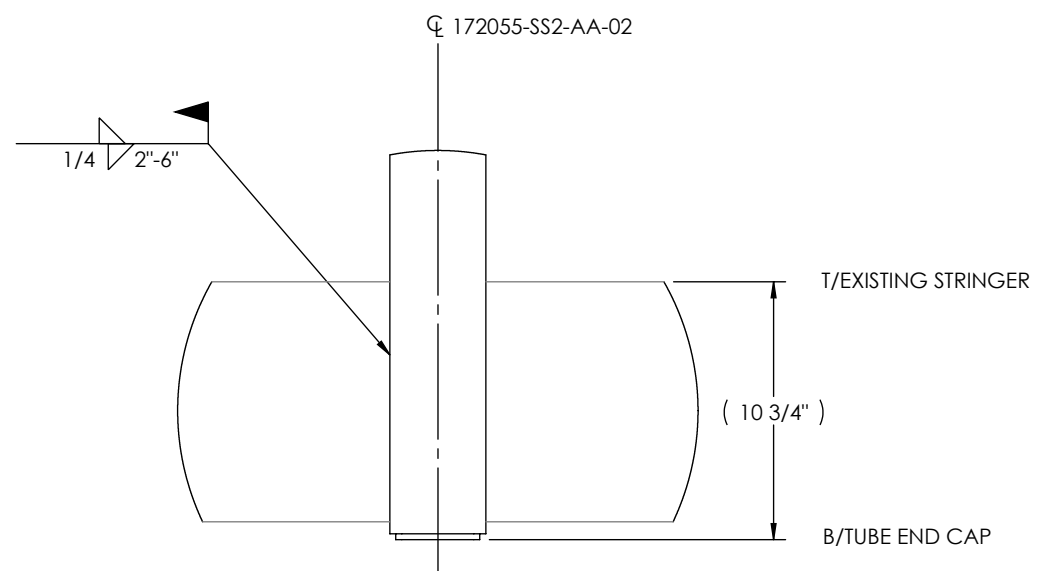
ASD
MCDUFFIE TERMINAL
C9 TO C4 AND C15
STRUCTURAL DRAWING
SHEET SCALE: 1:32 U.N.O.

CLIENT DRAWING No.
CLIENT DRAWING NO.
DRAWING No.
172055-STR-303

REV
0

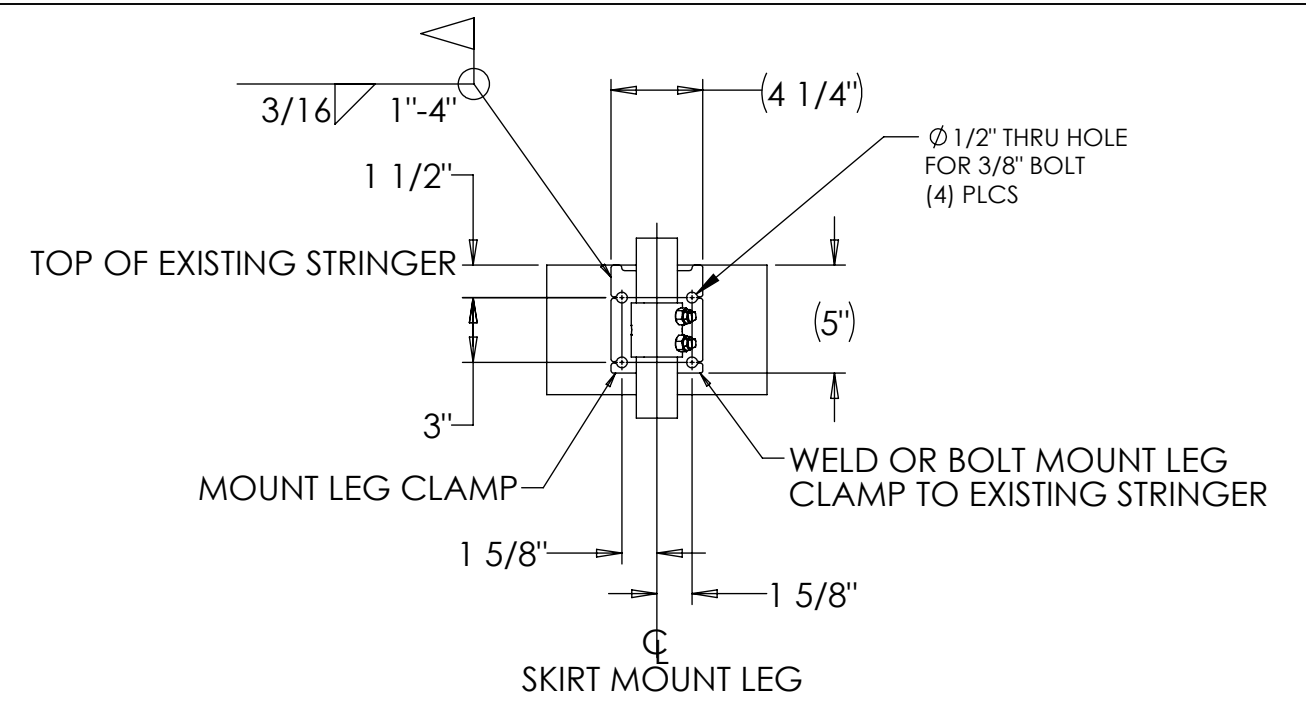
SIZE B

REV NO.	DESCRIPTION	DATE	BY	CHKD BY
0	ISSUED FOR CONSTRUCTION	2018-04-03	HMH	JDD

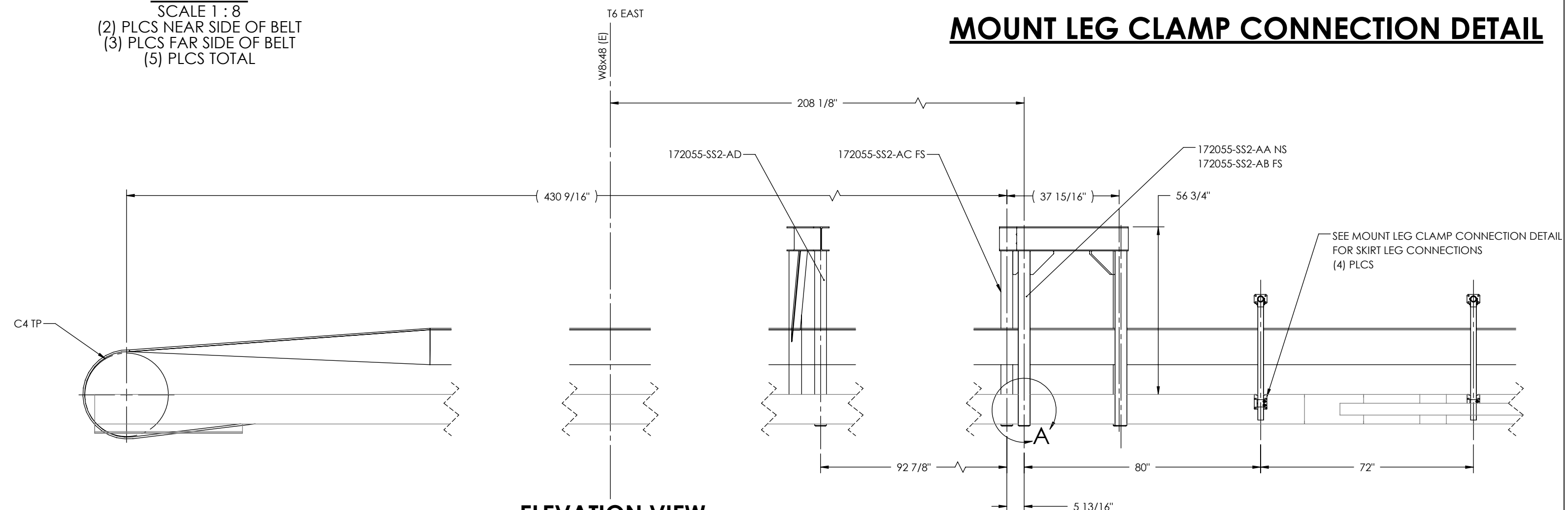


DETAIL A

SCALE 1 : 8
 (2) PLCS NEAR SIDE OF BELT
 (3) PLCS FAR SIDE OF BELT
 (5) PLCS TOTAL



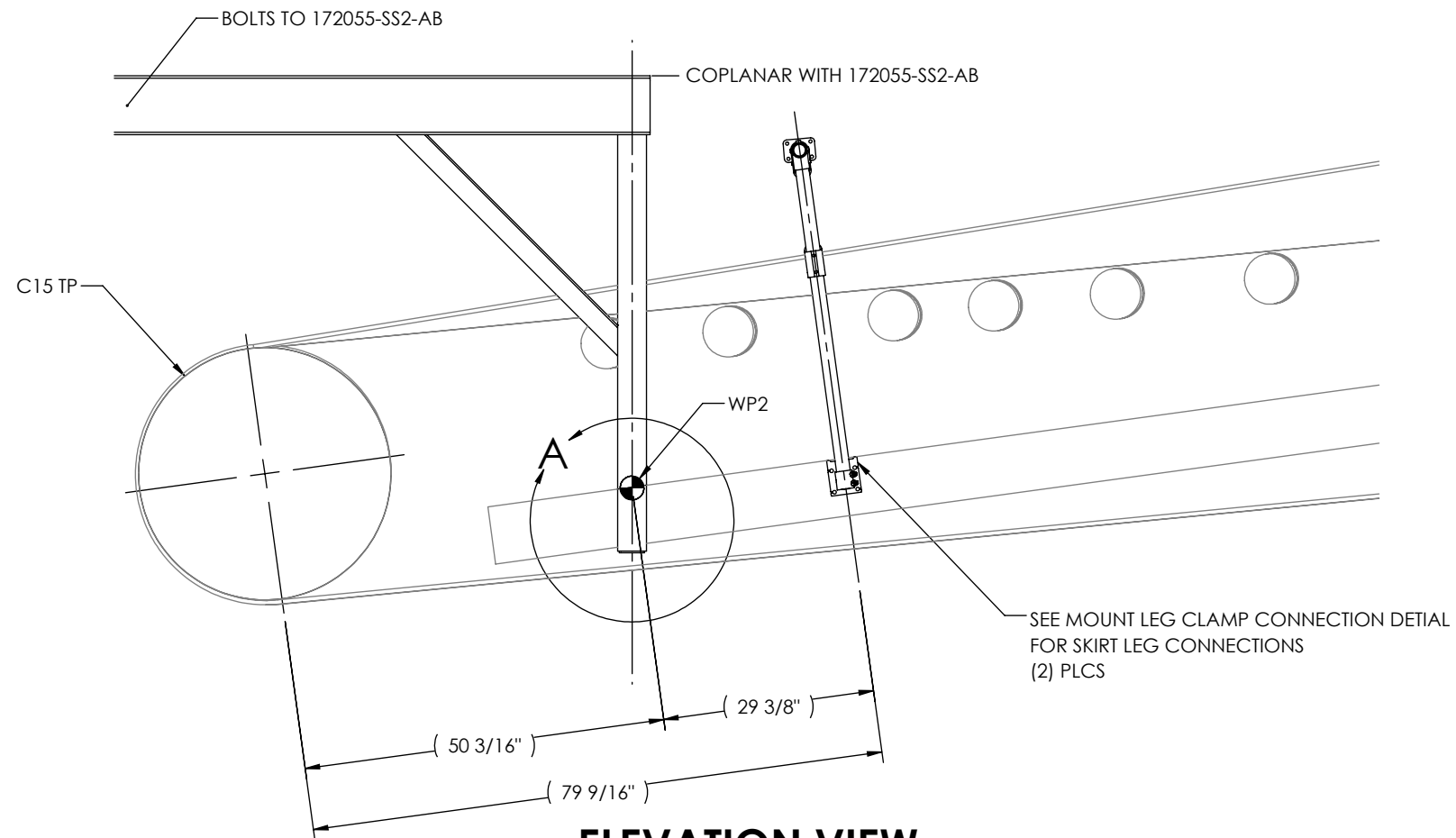
MOUNT LEG CLAMP CONNECTION DETAIL



ELEVATION VIEW

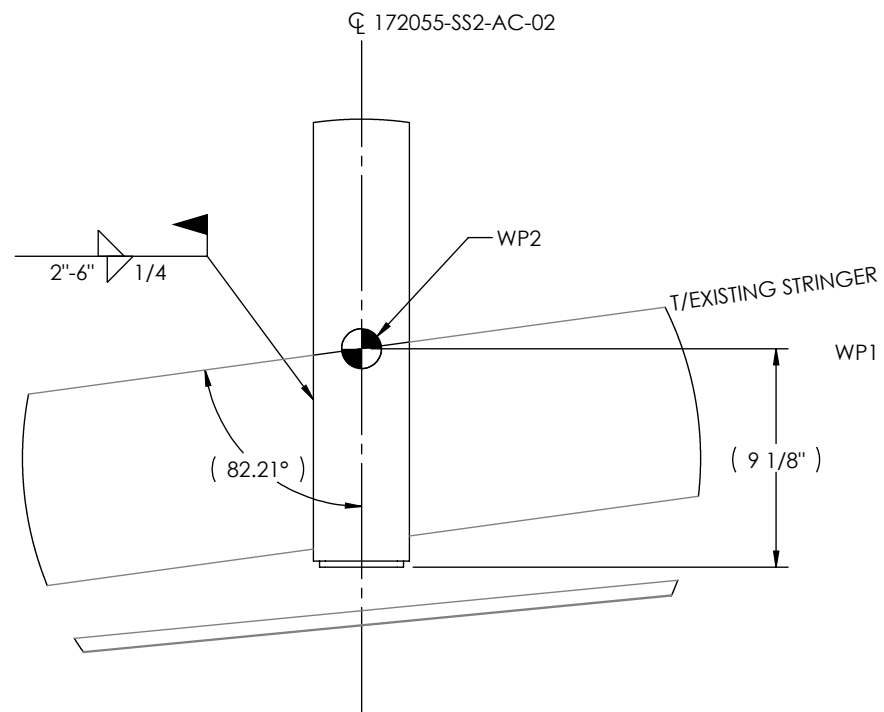
C4 BELT STRINGER MODIFICATION
 LOOKING PERPENDICULAR TO C4 BELT
 SOME FLEXCO SUPPLIED COMPONENTS AND
 EXISTING STRUCTURE HIDDEN FOR CLARITY

					TOLERANCES U.N.O. ANGULAR ANGULAR (BEND) ±1° ANGULAR (MACH)..... ±0.1° IMPERIAL FRACTIONAL ±1/8 TWO PLACE DECIMAL ±0.01 THREE PLACE DECIMAL ... ±0.005 FOUR PLACE DECIMAL ... ±0.0005		METRIC WHOLE NUMBER ... ±2 mm METRIC MACHINE X. mm ±0.5 mm X.X mm ±0.2 mm X.XX mm ±0.10 mm X.XXX mm ±0.050 mm		THIRD ANGLE PROJECTION ALL DIMENSIONS ARE IN MILLIMETERS U.N.O. DO NOT SCALE DRAWING		FLEXCO Uasman 10351 RISING CT WOODRIDGE, IL 60517 UNITED STATES Ph: +1 (630)410 2003 - Fax: +1 (630)783 1527 49 HANBURY ST. BUNDABERG QLD 4670 AUSTRALIA Ph: +61 7 4151 0359 - Fax: +61 7 4151 0263		ASD MCDUFFIE TERMINAL C9 TO C4 AND C15 STRUCTURAL DRAWING SHEET SCALE: 1:32 U.N.O.		CLIENT DRAWING No. CLIENT DRAWING NO. DRAWING No. 172055-STR-304		REV 0	
REV NO.	DESCRIPTION	DATE	BY	CHKD BY														
0	ISSUED FOR CONSTRUCTION	2018-04-03	HMH	JDD														

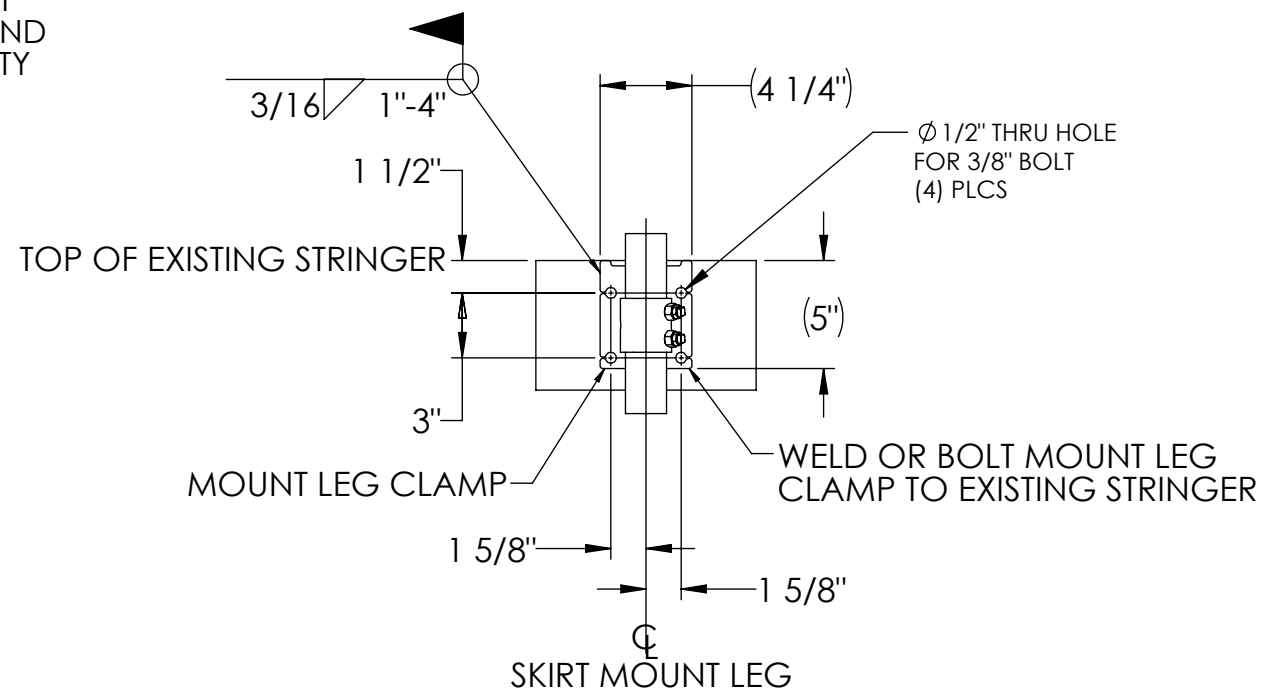


ELEVATION VIEW

C15 BELT STRINGER MODIFICATION
LOOKING PERPENDICULAR TO C15 BELT
SOME FLEXCO SUPPLIED COMPONENTS AND
EXISTING STRUCTURE HIDDEN FOR CLARITY



DETAIL A
SCALE 1 : 8
TYP FS OF BELT
(2) PLCS TOTAL



MOUNT LEG CLAMP CONNECTION DETAIL

REV NO.	DESCRIPTION	DATE	BY	CHKD BY
0	ISSUED FOR CONSTRUCTION	2018-04-03	HMH	JDD

TOLERANCES U.N.O.	
ANGULAR	METRIC
ANGULAR (BEND) ±1°	WHOLE NUMBER ... ±2 mm
ANGULAR (MACH)..... ±0.1°	
IMPERIAL	METRIC MACHINE
FRACTIONAL ±1/8	X. mm ±0.5 mm
TWO PLACE DECIMAL ±0.01	X.X mm ±0.2 mm
THREE PLACE DECIMAL ... ±0.005	X.XX mm ±0.10 mm
FOUR PLACE DECIMAL ... ±0.0005	X.XXX mm ±0.050 mm

THIRD ANGLE PROJECTION
ALL DIMENSIONS ARE IN MILLIMETERS U.N.O.
DO NOT SCALE DRAWING

THIS DRAWING REMAINS THE PROPERTY OF FLEXCO AND
MUST NOT BE DISCLOSED TO ANY THIRD PARTY WHATSOEVER,
WITHOUT THE WRITTEN PERMISSION OF FLEXCO. ALL RIGHTS
OF CONCEPT, DESIGN, INVENTION ARE RESERVED.

FLEXCO **Gasman**
10351 RISING CT WOODRIDGE, IL 60517 UNITED STATES
Ph: +1 (630)410 2003 - Fax: +1 (630)783 1527
49 HANBURY ST. BUNDABERG QLD 4670 AUSTRALIA
Ph: +61 7 4151 0359 - Fax: +61 7 4151 0263

ASD
MCDUFFIE TERMINAL
C9 TO C4 AND C15
STRUCTURAL DRAWING
SHEET SCALE: 1:24 U.N.O.

CLIENT DRAWING No.	CLIENT DRAWING NO.
DRAWING No.	172055-STR-305
REV	0